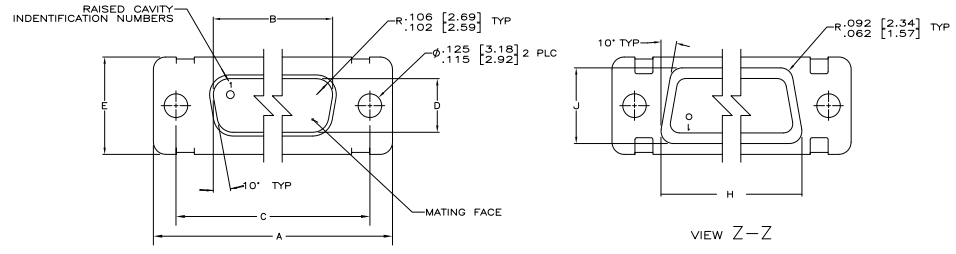
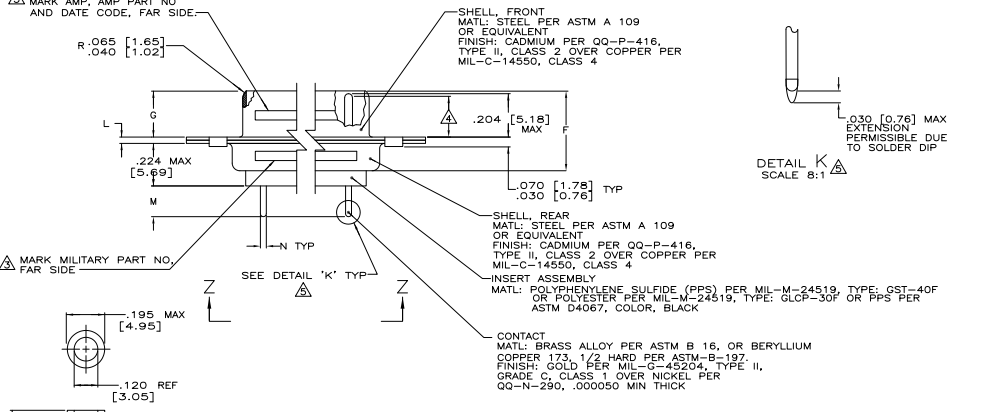


REV	DATE	DESCRIPTION	BY	CHK	APP
1					
2					
3					
4					
5					
6					
7					
8					



- △ SEE SHEET 2 FOR RECOMMENDED P.C. BOARD LAYOUT. TRUE POSITION TOLERANCE FOR P.C. BOARD LAYOUT IS .010 [0.25] AT MAX MATERIAL CONDITION. SUGGESTED BOARD THICKNESS IS .094 [2.39]
- △ THE CONNECTORS DESCRIBED IN THIS DOCUMENT MEET THE REQUIREMENTS OF MIL-C-24308 AND MATE WITH ANY RECEPTACLE CONNECTOR WITH SAME INSERT ARRANGEMENT.
- △ MARK WITH .047 [1.19]-.062 [1.57] HIGH CHARACTERS. FAR SIDE REFERS TO THE WIDE SIDE OF THE KEYSTONE. NEAR SIDE REFERS TO THE NARROW SIDE OF THE KEYSTONE. IF THE REAR SHELL IS TOO SMALL FOR THE ENTIRE MILITARY PART NUMBER, MARKING SHALL BE LOCATED AS FOLLOWS:
  - A. "M24308" ON FRONT SHELL, FAR SIDE.
  - B. SLASH SHEET AND DASH NUMBER ON REAR SHELL, FAR SIDE.
  - C. "AMP" AND DATE CODE ON FRONT SHELL, NEAR SIDE.
  - D. AMP PART NUMBER ON REAR SHELL, NEAR SIDE.
 IF THE FRONT SHELL IS TOO SMALL FOR "AMP", AMP PART NUMBER AND DATE CODE, THEN SPLIT AS FOLLOWS:
  - A. AMP PART NUMBER ON REAR SHELL, NEAR SIDE.
  - B. "AMP" AND DATE CODE ON FRONT SHELL, NEAR SIDE.
  - C. MILITARY PART NUMBER ON REAR SHELL, FAR SIDE.
- △ REQUIREMENT FOR FULL PIN DIAMETER EXTENSION:
  - .159 [4.04] MIN. SHELL SIZES 1 AND 2.
  - .150 [3.81] MIN. SHELL SIZES 3, 4, AND 5.
- △ SOLDER DIP PER MIL-STD-2000 COMPOSITION Sn63 CONFORMING TO QQ-S-571. COVERAGE SHALL BE COMPLETE TO A DISTANCE .020 [0.51] MAX FROM INSERT ASSEMBLY.
- 6. THE SOLDER DIP PROCESS IS PERFORMED SUBSEQUENT TO THE COMPLETION OF PRODUCTION OF THE MILITARY QUALIFIED CONNECTOR. DIMENSIONS APPLY PRIOR TO SOLDER DIPPING.
- △ SPACERS (QTY 2) ARE SUPPLIED WITH CONNECTORS (NOT ATTACHED TO THE CONNECTOR).
- 8. DIMENSIONS AND TOLERANCES PER ANSI Y14.5M-1982.
- 9. THIS DRAWING SHALL BE INTERPRETED IN ACCORDANCE WITH APPLICABLE STANDARDS LISTED IN MIL-STD-100.

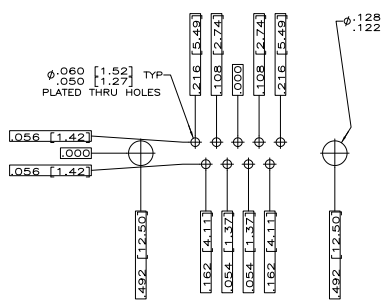


			.544 [13.82]	2.188 [55.58]			.620 [15.75]	.446 [11.33]	2.411 [61.24]	2.084 [52.93]	2.650 [67.31]	MS18277-1	50	5	M24308/24-17F	1218126-5	1-1218126-0
			.524 [13.31]	2.188 [55.07]			.590 [14.99]	.436 [11.07]	2.401 [60.99]	2.074 [52.68]	2.620 [66.55]	MS18276-1	37	4	M24308/24-16F	1218126-4	1218126-9
		.049 [1.24]	2.282 [57.96]	.236 [5.99]	.436 [11.07]				2.505 [63.63]	2.187 [55.55]	2.744 [69.70]	MS18275-1	25	3	M24308/24-15F	1218126-3	1218126-8
		.029 [0.74]	2.262 [57.45]	.224 [5.69]	.416 [10.57]				2.495 [63.37]	2.177 [55.30]	2.714 [68.94]	MS18274-1	15	2	M24308/24-14F	1218126-2	1218126-7
		.040 [1.02]	1.635 [41.53]			.509 [12.93]	.334 [8.48]		1.857 [47.17]	1.539 [39.09]	2.103 [53.42]	MS18273-1	9	1	M24308/24-13F	1218126-1	1218126-6
		.020 [0.51]	1.615 [41.02]	.238 [6.05]	.432 [10.97]	.478 [12.17]	.324 [8.23]		1.847 [46.91]	1.529 [38.84]	2.073 [52.65]	MS18272-1	50	5	M24308/24-17F	1218126-5	1218126-10
			1.093 [27.76]						1.317 [33.45]	.999 [25.37]	1.156 [29.52]	MS18271-1	25	3	M24308/24-15F	1218126-3	1218126-4
			1.073 [27.25]	.238 [6.05]	.432 [10.97]				1.307 [33.20]	.989 [25.12]	1.126 [28.76]	MS18270-1	15	2	M24308/24-14F	1218126-2	1218126-3
			.769 [19.53]	.229 [5.82]	.412 [10.46]	.508 [12.93]	.334 [8.48]		.989 [25.12]	.671 [17.04]	1.228 [31.19]	MS18269-1	9	1	M24308/24-13F	1218126-1	1218126-5
			.749 [19.02]			.479 [12.17]	.324 [8.23]		.979 [24.87]	.661 [16.79]	1.198 [30.43]	MS18268-1	37	4	M24308/24-16F	1218126-4	1218126-3
			2.282 [57.96]	.236 [5.99]	.436 [11.07]				2.505 [63.63]	2.187 [55.55]	2.744 [69.70]	MS18275-1	25	3	M24308/24-15F	1218126-3	1218126-4
			2.262 [57.45]	.224 [5.69]	.416 [10.57]				2.495 [63.37]	2.177 [55.30]	2.714 [68.94]	MS18274-1	15	2	M24308/24-14F	1218126-2	1218126-7
			1.635 [41.53]			.509 [12.93]	.334 [8.48]		1.857 [47.17]	1.539 [39.09]	2.103 [53.42]	MS18273-1	9	1	M24308/24-13F	1218126-1	1218126-6
			1.615 [41.02]	.238 [6.05]	.432 [10.97]	.478 [12.17]	.324 [8.23]		1.847 [46.91]	1.529 [38.84]	2.073 [52.65]	MS18272-1	50	5	M24308/24-17F	1218126-5	1218126-10
			1.093 [27.76]						1.317 [33.45]	.999 [25.37]	1.156 [29.52]	MS18271-1	25	3	M24308/24-15F	1218126-3	1218126-4
			1.073 [27.25]	.238 [6.05]	.432 [10.97]				1.307 [33.20]	.989 [25.12]	1.126 [28.76]	MS18270-1	15	2	M24308/24-14F	1218126-2	1218126-3
			.769 [19.53]	.229 [5.82]	.412 [10.46]	.508 [12.93]	.334 [8.48]		.989 [25.12]	.671 [17.04]	1.228 [31.19]	MS18269-1	9	1	M24308/24-13F	1218126-1	1218126-5
			.749 [19.02]			.479 [12.17]	.324 [8.23]		.979 [24.87]	.661 [16.79]	1.198 [30.43]	MS18268-1	37	4	M24308/24-16F	1218126-4	1218126-3

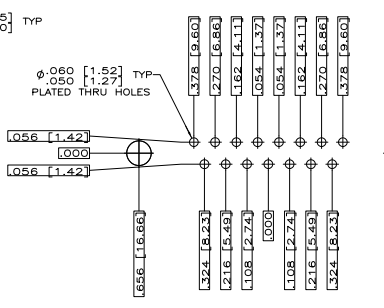
REV	DATE	DESCRIPTION	BY	CHK	APP
1					
2					
3					
4					
5					
6					
7					
8					

THIS DRAWING IS UNPUBLISHED. ALL RIGHTS RESERVED.  
 © 2008 BY TI ELECTRONICS CORPORATION. ALL RIGHTS RESERVED.

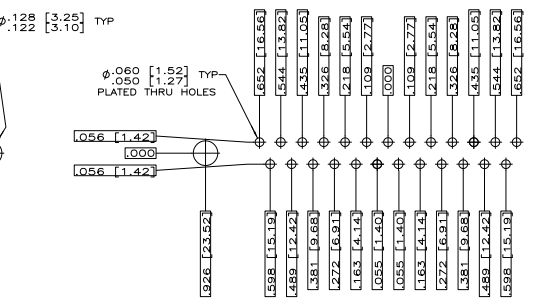
REV	DATE	DESCRIPTION	BY	CHK	APP
DF	DO				
		SEE SHEET 1			



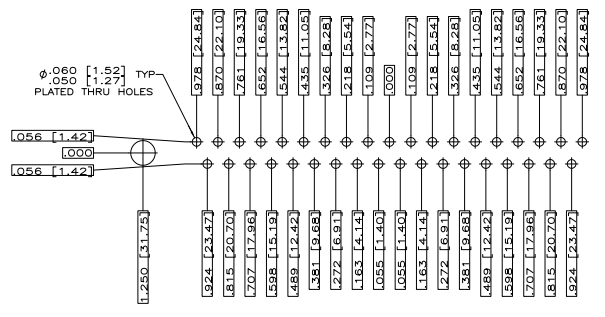
RECOMMENDED P.C. BOARD LAYOUT  
 SHELL SIZE 1 (9 POSITION) Δ



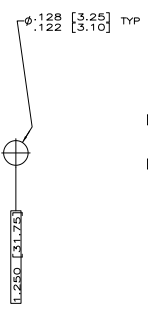
RECOMMENDED P.C. BOARD LAYOUT  
 SHELL SIZE 2 (15 POSITION) Δ



RECOMMENDED P.C. BOARD LAYOUT  
 SHELL SIZE 3 (25 POSITION) Δ



RECOMMENDED P.C. BOARD LAYOUT  
 SHELL SIZE 4 (37 POSITION) Δ



RECOMMENDED P.C. BOARD LAYOUT  
 SHELL SIZE 5 (50 POSITION) Δ

THIS DRAWING IS A CONTROLLED DOCUMENT.		DATE	BY	CHK	APP
DESIGNED	APPROVED	DATE	BY	CHK	APP
DRAWN	REVIEWED	DATE	BY	CHK	APP
CHECKED	APPROVED	DATE	BY	CHK	APP
DATE	BY	CHK	APP		
SIZE	DATE	BY	CHK	APP	
CUSTOMER DRAWING	DATE	BY	CHK	APP	