

4

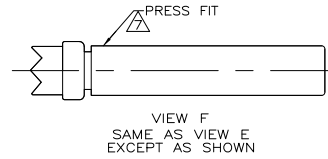
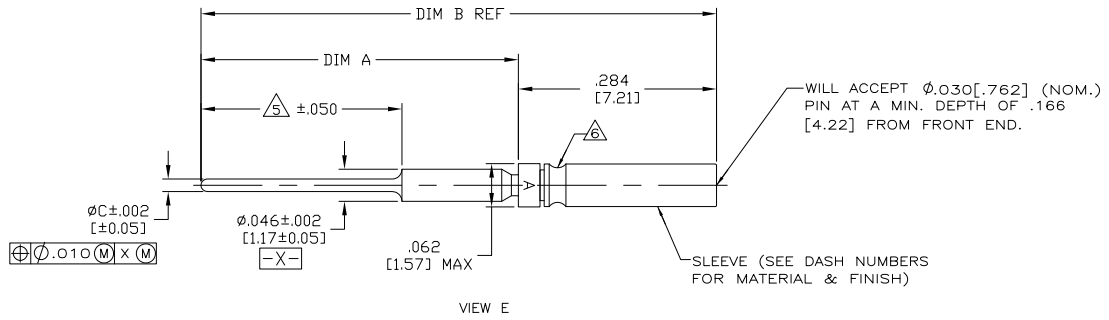
3

2

1

THIS DRAWING IS UNPUBLISHED. RELEASED FOR PUBLICATION. ALL RIGHTS RESERVED.

LOC	DIST	REVISIONS			
P	LR	DESCRIPTION	DATE	BY	APPD
AA	REV PER ECD	11-011680	6-7-11	CT	RL



1. INSERTION/EXTRACTION TOOL AMP P/N 91067-1.
- △ CONTACT BODY AND HOOD FINISH:
GOLD PLATED .000050 [0.0127] TO .000100 [0.0254] THICK PER ASTM-B-488, TYPE II, GRADE C OVER COPPER PLATE
.000100 [0.0254] TO .000250 [0.0635] THICK PER ASM 2418.
 - △ CONTACT BODY FINISH:
GOLD PLATED .000050 [0.0127] TO .000100 [0.0254] THICK PER ASTM-B-488, TYPE II, GRADE C OVER COPPER PLATE
.000100 [0.0254] TO .000250 [0.0635] THICK PER ASM 2418.
HOOD FINISH:
PASSIVATED PER ASTM-A-380
 - △ CONTACT BODY FINISH:
GOLD PLATED .000050 [0.0127] TO .000100 [0.0254] THICK PER ASTM-B-488, TYPE II, GRADE C OVER NICKEL PLATE
.000050 [0.0127] TO .000100 [0.0254] THICK PER QQ-N-290.
 - △ THIS AREA IS SOLDER DIPPED. 207684-8 & 1-207684-0 ONLY.
 - △ SLEEVE MAY BE CRIMPED OR DIMPLED ONTO CONTACT BODY.
 - △ SLEEVE MAY BE PRESS FIT, CRIMPED OR DIMPLED ONTO CONTACT BODY.
 - 8. CONTACTS MEET ALL APPLICABLE PERFORMANCE REQUIREMENTS OF MIL-C-39029.
 - △ CONTACT BODY MATERIAL:
LEADED NICKEL COPPER OR COPPER ALLOY PER ASTM-B-197
HOOD MATERIAL:
BRASS PER ASTM-B-36 OR COPPER ALLOY PER ASTM-B-197
 - △ CONTACT BODY MATERIAL:
LEADED NICKEL COPPER OR COPPER ALLOY PER ASTM-B-197
HOOD MATERIAL:
STAINLESS STEEL PER ASTM-A-240
 - △ CONTACT BODY MATERIAL:
BERYLLIUM COPPER PER ASTM-B-197
HOOD MATERIAL:
STAINLESS STEEL PER ASTM-A-240
 - △ PRELIMINARY NOT RELEASED FOR PRODUCTION

REMARKS	SEE VIEW	FINISH	MATERIAL	ØC	DIM B	DIM A	PART NO
△	VIEW E	△	△	.018[0.46]	.719[18.26]	.435[11.05]	1-207684-2
△	VIEW E	△	△	.018[0.46]	.844[21.44]	.560[14.22]	1-207684-0
△	VIEW E	△	△	.020[0.51]	.949 [24.10]	.665 [16.89]	207684-9
△	VIEW E	△	△	.018[0.46]	.744[18.90]	.460[11.68]	207684-8
△	VIEW F	△	△	.025[0.64]	.844[21.44]	.560[14.22]	207684-7
△	VIEW F	△	△	.018[0.46]	1.094[27.79]	.810[20.57]	207684-6
△	VIEW F	△	△	.018[0.46]	.844[21.44]	.560[14.22]	207684-5
△	VIEW F	△	△	.025[0.64]	.844[21.44]	.560[14.22]	207684-4
△	VIEW E	△	△	.018[0.46]	.744[18.90]	.460[11.68]	207684-3
△	VIEW E	△	△	.018[0.46]	1.094[27.79]	.810[20.57]	207684-2
△	VIEW E	△	△	.018[0.46]	.844[21.44]	.560[14.22]	207684-1

THIS DRAWING IS A CONTROLLED DOCUMENT.

DESIGNED BY: T. ALEXANDER 11-15-91	CHKD BY: F. KINSEY 11-18-91	DATE: 11-18-91	NAME: F. KINSEY
DIMENSIONS: INCHES [mm]	OTHER DIMENSIONS: PLACES	PRODUCT SPEC: APPLICATION SPEC: -	SIZE: A2
0 PLC: -	1 PLC: -	2 PLC: -	3 PLC: -
4 PLC: ±.005 [0.13]	5: -	6: -	7: -
8: -	9: -	10: -	11: -
12: -	ANGLES: -	FINISH: -	RESTRICTED TO: -
MATERIAL: SEE CALLOUT	FINISH: SEE CALLOUT	WEIGHT: -	SCALE: 10:1
CUSTOMER DRAWING		SIZE: A2	00779C-207684
		SHEET: 1 of 1	REV: AA

TE Connectivity
SOCKET CONTACT, POSTED
SIZE 220

207684

B

A