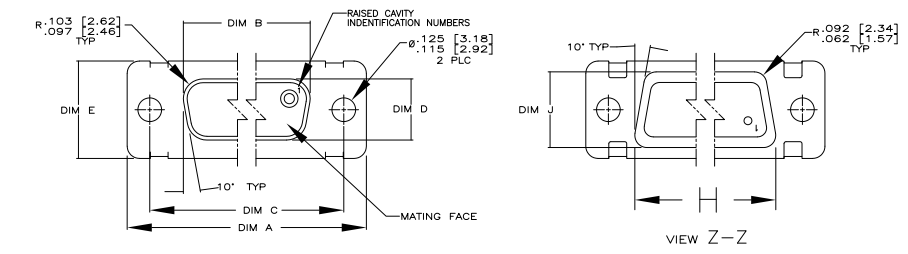
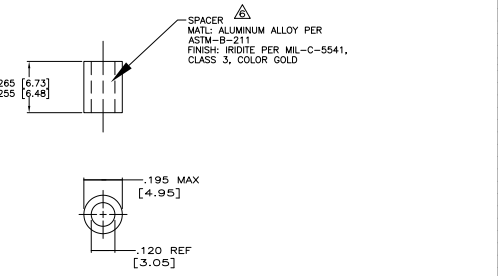
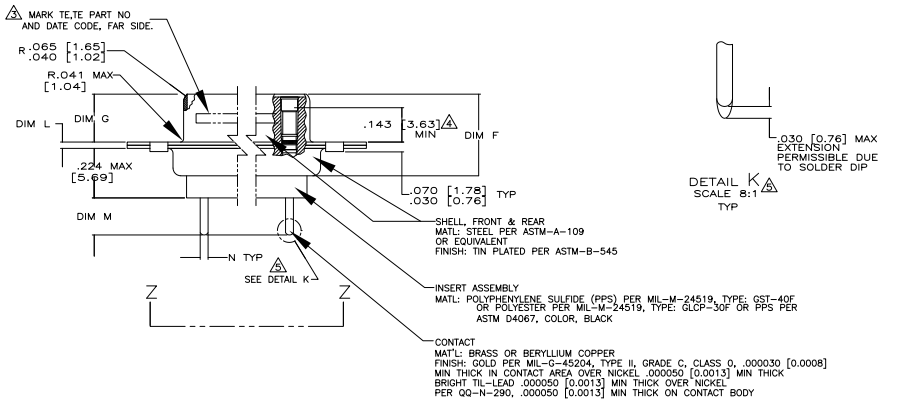


REV	DATE	DESCRIPTION	BY	CHKD	APPD
1					
2					
3					
4					
5					
6					
7					
8					



- △ SEE SHEET 2 FOR RECOMMENDED P.C. BOARD LAYOUT. TRUE POSITION TOLERANCE FOR P.C. BOARD LAYOUT IS .010 [0.25] AT MAX MATERIAL CONDITION. SUGGESTED BOARD THICKNESS IS .125 [3.18]
- △ THE CONNECTORS DESCRIBED IN THIS DOCUMENT WILL MATE WITH ANY PLUG CONNECTOR WITH THE SAME INSERT ARRANGEMENT.
- △ MARKED WITH .047 [1.19]-.062 [1.57] HIGH CHARACTERS. FAR SIDE REFERS TO THE WIDE SIDE OF THE KEYSTONE. NEAR SIDE REFERS TO THE NARROW SIDE OF THE KEYSTONE. IF THE FRONT SHELL IS TOO SMALL FOR "TE", TE PART NUMBER AND DATE CODE, THEN SPLIT AS FOLLOWS:
 - A. TE PART NUMBER ON REAR SHELL, NEAR SIDE.
 - B. "TE" AND DATE CODE ON FRONT SHELL, NEAR SIDE.
- △ POINT OF ELECTRICAL ENGAGEMENT - AS MEASURED WITH A .0390 [0.991]-.0393 [0.998] DIA SQUARE ENDED TEST PIN.
- △ SOLDER DIPPED PER MIL-STD-2000 COMPOSITION Sn63 CONFORMING TO QQ-S-571. COVERAGE SHALL BE COMPLETE TO A DISTANCE .020 [0.51] MAX FROM INSERT ASSEMBLY.
- △ SPACERS (QTY 2) ARE SUPPLIED WITH CONNECTORS (NOT ATTACHED TO THE CONNECTOR).
- 7. DIMENSIONS APPLY PRIOR TO SOLDER DIPPING.



SHELL, FRONT & REAR
MATL: STEEL PER ASTM-A-109
OR EQUIVALENT
FINISH: TIN PLATED PER ASTM-B-545

INSERT ASSEMBLY
MATL: POLYPHENYLENE SULFIDE (PPS) PER MIL-M-24519, TYPE: GST-40F
OR POLYESTER PER MIL-M-24519, TYPE: GLCP-30F OR PPS PER
ASTM D4067, COLOR, BLACK

CONTACT
MATL: BRASS OR BERYLLIUM COPPER
FINISH: GOLD PER MIL-S-45204, TYPE II, GRADE C, CLASS 0, .00030 [0.0008]
MIN THICK IN CONTACT AREA OVER NICKEL .00050 [0.0013] MIN THICK
BRIGHT TIL-LEAD .00050 [0.0013] MIN THICK OVER NICKEL
PER QQ-N-290, .00050 [0.0013] MIN THICK ON CONTACT BODY

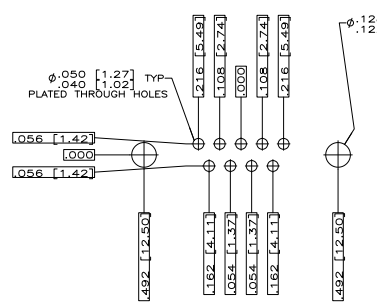
N	M	L	J	H	G	F	E	D	C	B	A	INSERT ARRANGEMENT	NO OF POS	SHELL SIZE	TE PN ON CONNECTOR	PART NUMBER
.033 [0.84]	.208 [5.28]	.040 [1.02]	.544 [13.82]	2.188 [55.58]	.248 [6.30]	.439 [11.15]	.620 [15.75]	.428 [10.87]	2.411 [61.24]	2.069 [52.55]	2.650 [67.31]	MS18277-1	50	5	1218294-5	1-1218294-0
.027 [0.69]	.188 [4.77]	.020 [0.51]	.524 [13.31]	2.168 [55.07]	.238 [6.05]	.419 [10.64]	.590 [14.98]	.418 [10.62]	2.401 [60.98]	2.059 [52.50]	2.620 [66.55]	MS18276-1	37	4	1218294-4	1218294-9
.033 [0.84]	.208 [5.28]	.040 [1.02]	.432 [10.97]	2.282 [57.96]	.248 [6.30]	.439 [11.15]	.509 [12.93]	.316 [8.03]	2.505 [63.63]	2.184 [54.97]	2.744 [69.70]	MS18275-1	25	3	1218294-3	1218294-8
.027 [0.69]	.188 [4.77]	.020 [0.51]	.412 [10.46]	2.262 [57.45]	.238 [6.05]	.419 [10.64]	.478 [12.17]	.306 [7.77]	2.495 [62.97]	2.154 [54.71]	2.714 [68.94]	MS18274-1	15	2	1218294-2	1218294-7
.033 [0.84]	.208 [5.28]	.040 [1.02]	.432 [10.97]	1.836 [46.53]	.248 [6.30]	.439 [11.15]	.509 [12.93]	.316 [8.03]	2.505 [63.63]	2.184 [54.97]	2.744 [69.70]	MS18273-1	9	1	1218294-1	1218294-6
.027 [0.69]	.188 [4.77]	.020 [0.51]	.412 [10.46]	1.816 [46.02]	.238 [6.05]	.419 [10.64]	.478 [12.17]	.306 [7.77]	2.487 [62.91]	2.154 [54.71]	2.714 [68.94]	MS18272-1	50	5	1218294-5	1218294-5
.033 [0.84]	.208 [5.28]	.040 [1.02]	.432 [10.97]	2.282 [57.96]	.248 [6.30]	.439 [11.15]	.509 [12.93]	.316 [8.03]	2.505 [63.63]	2.184 [54.97]	2.744 [69.70]	MS18276-1	37	4	1218294-4	1218294-4
.027 [0.69]	.188 [4.77]	.020 [0.51]	.412 [10.46]	2.262 [57.45]	.238 [6.05]	.419 [10.64]	.478 [12.17]	.306 [7.77]	2.495 [62.97]	2.154 [54.71]	2.714 [68.94]	MS18275-1	25	3	1218294-3	1218294-3
.033 [0.84]	.208 [5.28]	.040 [1.02]	.432 [10.97]	1.836 [46.53]	.248 [6.30]	.439 [11.15]	.509 [12.93]	.316 [8.03]	2.505 [63.63]	2.184 [54.97]	2.744 [69.70]	MS18274-1	15	2	1218294-2	1218294-2
.027 [0.69]	.188 [4.77]	.020 [0.51]	.412 [10.46]	1.816 [46.02]	.238 [6.05]	.419 [10.64]	.478 [12.17]	.306 [7.77]	2.487 [62.91]	2.154 [54.71]	2.714 [68.94]	MS18273-1	9	1	1218294-1	1218294-1

THIS DRAWING IS A CONTROLLED DOCUMENT. IT IS THE PROPERTY OF THE COMPANY AND IS NOT TO BE REPRODUCED OR TRANSMITTED IN ANY FORM OR BY ANY MEANS, ELECTRONIC OR MECHANICAL, INCLUDING PHOTOCOPYING, RECORDING, OR BY ANY INFORMATION STORAGE AND RETRIEVAL SYSTEM, WITHOUT THE WRITTEN PERMISSION OF THE COMPANY.

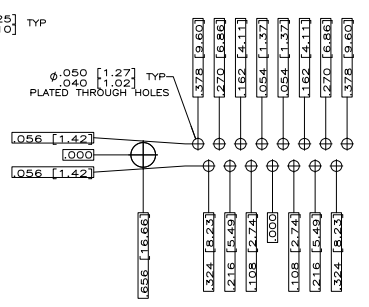
DATE: 007798
REV: 1
C

CUSTOMER DRAWING

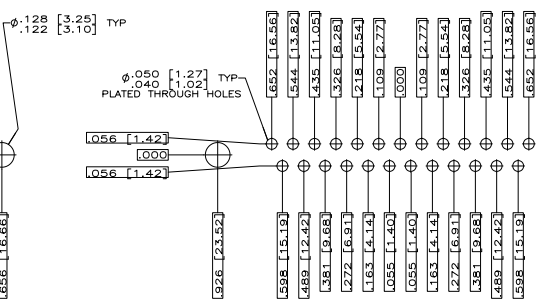
REV	DATE	DESCRIPTION	BY	CHK	APP
1		SEE SHEET 1			



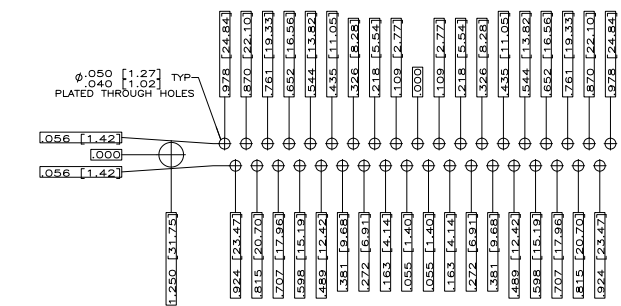
RECOMMENDED P.C. BOARD LAYOUT SHELL SIZE 1 (9 POSITION) Δ



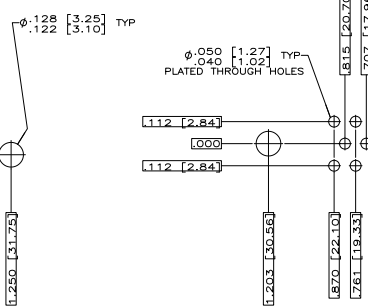
RECOMMENDED P.C. BOARD LAYOUT SHELL SIZE 2 (15 POSITION) Δ



RECOMMENDED P.C. BOARD LAYOUT SHELL SIZE 3 (25 POSITION) Δ



RECOMMENDED P.C. BOARD LAYOUT SHELL SIZE 4 (37 POSITION) Δ



RECOMMENDED P.C. BOARD LAYOUT SHELL SIZE 5 (50 POSITION) Δ

THIS DRAWING IS A CONTROLLED DOCUMENT. TYP. UNLESS OTHERWISE SPECIFIED.

DESIGNER	DR. P. THOMAS	DATE	10/18/88
CHECKER	DR. J. HOFFMAN	DATE	10/20/88
APPROVER	DR. J. HOFFMAN	DATE	10/20/88
DATE	10/20/88	REV	1
DESCRIPTION	AMPLIMITE RECEPTACLE ASSY, LOW PROFILE SIZE 20 POSTED CONTACTS SERIES 100, SIZE 1 THRU 5		
SIZE	A1	DATE	00779
CUSTOMER DRAWING	SEE SHEET 1	REV	2

YAES Electronics Corporation
Harrisburg, PA 17105-3608