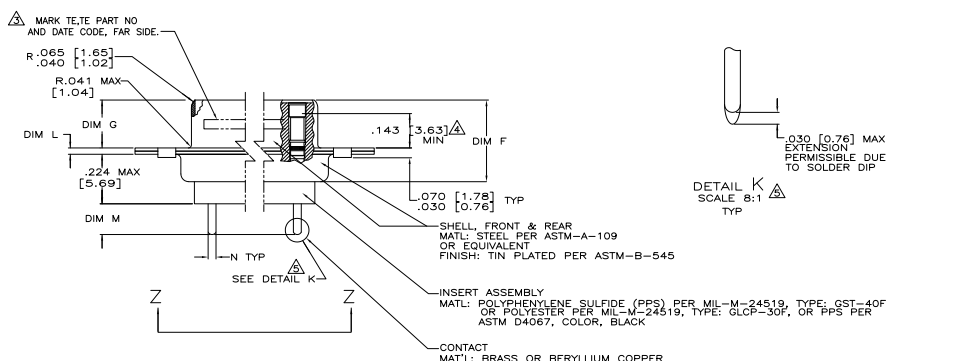


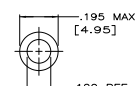
VIEW Z-Z



DETAIL K  
SCALE 8:1

- △ SEE SHEET 2 FOR RECOMMENDED P.C. BOARD LAYOUT. TRUE POSITION TOLERANCE FOR P.C. BOARD LAYOUT IS .010 [0.25] AT MAX MATERIAL CONDITION. SUGGESTED BOARD THICKNESS IS .125 [3.18]
- △ THE CONNECTORS DESCRIBED IN THIS DOCUMENT WILL MATE WITH ANY PLUG CONNECTOR WITH THE SAME INSERT ARRANGEMENT.
- △ MARKED WITH .047 [1.19]-.062 [1.57] HIGH CHARACTERS. FAR SIDE REFERS TO THE WIDE SIDE OF THE KEYSTONE. NEAR SIDE REFERS TO THE NARROW SIDE OF THE KEYSTONE. IF THE FRONT SHELL IS TOO SMALL FOR "TE", TE PART NUMBER AND DATE CODE, THEN SPLIT AS FOLLOWS:  
 A. TE PART NUMBER ON REAR SHELL, NEAR SIDE.  
 B. "TE" AND DATE CODE ON FRONT SHELL, NEAR SIDE.
- △ POINT OF ELECTRICAL ENGAGEMENT - AS MEASURED WITH A .0390 [0.991]-.0393 [0.998] DIA SQUARE ENDED TEST PIN.
- △ SOLDER DIPPED PER MIL-STD-2000 COMPOSITION Sn63 CONFORMING TO QQ-S-571. COVERAGE SHALL BE COMPLETE TO A DISTANCE .020 [0.51] MAX FROM INSERT ASSEMBLY.
- △ SPACERS (QTY 2) ARE SUPPLIED WITH CONNECTORS (NOT ATTACHED TO THE CONNECTOR).
- 7. DIMENSIONS APPLY PRIOR TO SOLDER DIPPING.

SPACER △  
 MATL: ALUMINUM ALLOY PER  
 ASTM-B-211  
 FINISH: IRIDIUM PER MIL-C-5541,  
 CLASS 3, COLOR GOLD



N	M	L	J	H	G	F	E	D	C	B	A	NO OF INSERT ARRANGEMENT POS	SHELL SIZE	TE PN ON CONNECTOR	PART NUMBER	
.033 [0.84]	.176 [4.47]	.040 [1.02]	.544 [13.82]	2.188 [55.58]	.248 [6.30]	.439 [11.15]	.620 [15.75]	.428 [10.87]	2.411 [61.24]	2.069 [52.55]	2.650 [66.92]	MS18277-1	50	5	1218293-5	1-1218293-0
.027 [0.69]	.136 [3.45]	.020 [0.51]	.524 [13.31]	2.168 [55.07]	.238 [6.05]	.419 [10.64]	.590 [14.98]	.419 [10.62]	2.401 [60.98]	2.069 [52.55]	2.620 [66.50]	MS18276-1	50	4	1218293-4	1218293-9
.033 [0.84]	.176 [4.47]	.040 [1.02]	.432 [10.97]	2.282 [57.96]	.248 [6.30]	.439 [11.15]	.509 [12.93]	.316 [8.03]	2.505 [63.63]	2.184 [54.97]	2.744 [69.70]	MS18275-1	27	3	1218293-3	1218293-8
.027 [0.69]	.136 [3.45]	.020 [0.51]	.412 [10.46]	2.262 [57.45]	.238 [6.05]	.419 [10.64]	.478 [12.17]	.306 [7.77]	2.495 [62.37]	2.184 [54.71]	2.714 [68.94]	MS18274-1	15	2	1218293-2	1218293-7
.033 [0.84]	.176 [4.47]	.040 [1.02]	.432 [10.97]	2.282 [57.96]	.248 [6.30]	.439 [11.15]	.509 [12.93]	.316 [8.03]	2.505 [63.63]	2.184 [54.97]	2.744 [69.70]	MS18273-1	50	5	1218293-5	1218293-4
.027 [0.69]	.136 [3.45]	.020 [0.51]	.412 [10.46]	2.262 [57.45]	.238 [6.05]	.419 [10.64]	.478 [12.17]	.306 [7.77]	2.495 [62.37]	2.184 [54.71]	2.714 [68.94]	MS18272-1	27	3	1218293-3	1218293-3
.033 [0.84]	.176 [4.47]	.040 [1.02]	.432 [10.97]	2.282 [57.96]	.248 [6.30]	.439 [11.15]	.509 [12.93]	.316 [8.03]	2.505 [63.63]	2.184 [54.97]	2.744 [69.70]	MS18271-1	50	5	1218293-5	1218293-1
.027 [0.69]	.136 [3.45]	.020 [0.51]	.412 [10.46]	2.262 [57.45]	.238 [6.05]	.419 [10.64]	.478 [12.17]	.306 [7.77]	2.495 [62.37]	2.184 [54.71]	2.714 [68.94]	MS18270-1	27	3	1218293-3	1218293-2
.033 [0.84]	.176 [4.47]	.040 [1.02]	.432 [10.97]	2.282 [57.96]	.248 [6.30]	.439 [11.15]	.509 [12.93]	.316 [8.03]	2.505 [63.63]	2.184 [54.97]	2.744 [69.70]	MS18269-1	50	5	1218293-5	1218293-6
.027 [0.69]	.136 [3.45]	.020 [0.51]	.412 [10.46]	2.262 [57.45]	.238 [6.05]	.419 [10.64]	.478 [12.17]	.306 [7.77]	2.495 [62.37]	2.184 [54.71]	2.714 [68.94]	MS18268-1	27	3	1218293-3	1218293-5
.033 [0.84]	.176 [4.47]	.040 [1.02]	.432 [10.97]	2.282 [57.96]	.248 [6.30]	.439 [11.15]	.509 [12.93]	.316 [8.03]	2.505 [63.63]	2.184 [54.97]	2.744 [69.70]	MS18267-1	50	5	1218293-5	1218293-3
.027 [0.69]	.136 [3.45]	.020 [0.51]	.412 [10.46]	2.262 [57.45]	.238 [6.05]	.419 [10.64]	.478 [12.17]	.306 [7.77]	2.495 [62.37]	2.184 [54.71]	2.714 [68.94]	MS18266-1	27	3	1218293-3	1218293-4
.033 [0.84]	.176 [4.47]	.040 [1.02]	.432 [10.97]	2.282 [57.96]	.248 [6.30]	.439 [11.15]	.509 [12.93]	.316 [8.03]	2.505 [63.63]	2.184 [54.97]	2.744 [69.70]	MS18265-1	50	5	1218293-5	1218293-3
.027 [0.69]	.136 [3.45]	.020 [0.51]	.412 [10.46]	2.262 [57.45]	.238 [6.05]	.419 [10.64]	.478 [12.17]	.306 [7.77]	2.495 [62.37]	2.184 [54.71]	2.714 [68.94]	MS18264-1	15	2	1218293-2	1218293-2
.033 [0.84]	.176 [4.47]	.040 [1.02]	.432 [10.97]	2.282 [57.96]	.248 [6.30]	.439 [11.15]	.509 [12.93]	.316 [8.03]	2.505 [63.63]	2.184 [54.97]	2.744 [69.70]	MS18263-1	50	5	1218293-5	1218293-1
.027 [0.69]	.136 [3.45]	.020 [0.51]	.412 [10.46]	2.262 [57.45]	.238 [6.05]	.419 [10.64]	.478 [12.17]	.306 [7.77]	2.495 [62.37]	2.184 [54.71]	2.714 [68.94]	MS18262-1	27	3	1218293-3	1218293-1
.033 [0.84]	.176 [4.47]	.040 [1.02]	.432 [10.97]	2.282 [57.96]	.248 [6.30]	.439 [11.15]	.509 [12.93]	.316 [8.03]	2.505 [63.63]	2.184 [54.97]	2.744 [69.70]	MS18261-1	50	5	1218293-5	1218293-1
.027 [0.69]	.136 [3.45]	.020 [0.51]	.412 [10.46]	2.262 [57.45]	.238 [6.05]	.419 [10.64]	.478 [12.17]	.306 [7.77]	2.495 [62.37]	2.184 [54.71]	2.714 [68.94]	MS18260-1	27	3	1218293-3	1218293-1

THIS DRAWING IS A CONTROLLED DOCUMENT.

DESIGNER	DATE	REVISED FOR	REVISED BY
CHKD	DATE	REVISED FOR	REVISED BY
APP'D	DATE	REVISED FOR	REVISED BY
DATE	DATE	REVISED FOR	REVISED BY

AMPLITE RECEPTACLE ASSY, LOW PROFILE  
 SIZE 20 POSTED CONTACTS  
 SERIES 100, SIZE 1 THRU 5

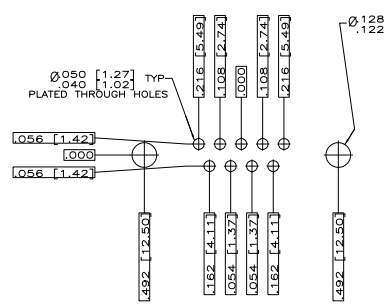
SEE CALCS

CUSTOMER DRAWING

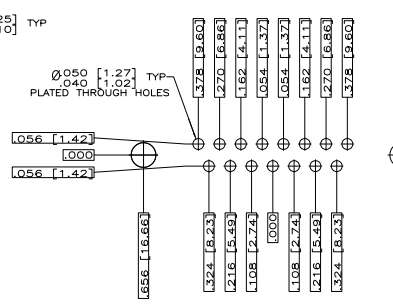
DATE: 11/11/08  
 REV: 1  
 SHEET: 1 OF 2

THIS DRAWING IS UNPUBLISHED AND NOT TO BE REPRODUCED OR TRANSMITTED IN ANY FORM OR BY ANY MEANS, ELECTRONIC OR MECHANICAL, INCLUDING PHOTOCOPYING, RECORDING, OR BY ANY INFORMATION STORAGE AND RETRIEVAL SYSTEM. ALL RIGHTS RESERVED.

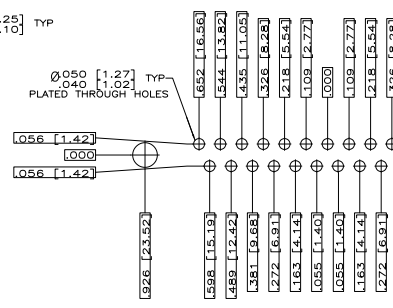
REV	DATE	DESCRIPTION	BY	APP'D
1		SEE SHEET 1		



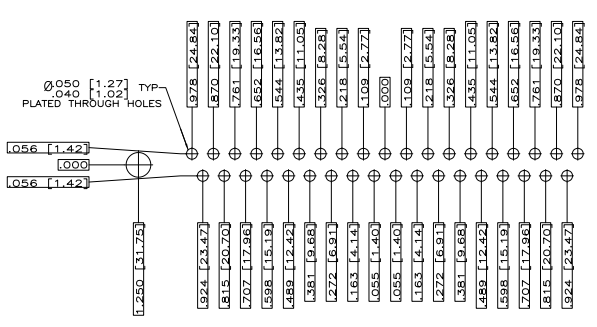
RECOMMENDED P.C. BOARD LAYOUT SHELL SIZE 1 (9 POSITION) Δ



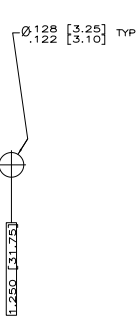
RECOMMENDED P.C. BOARD LAYOUT SHELL SIZE 2 (15 POSITION) Δ



RECOMMENDED P.C. BOARD LAYOUT SHELL SIZE 3 (25 POSITION) Δ



RECOMMENDED P.C. BOARD LAYOUT SHELL SIZE 4 (37 POSITION) Δ



RECOMMENDED P.C. BOARD LAYOUT SHELL SIZE 5 (50 POSITION) Δ

THIS DRAWING IS A CONTROLLED DOCUMENT.		REV. CONTROL	140710	THIS DRAWING IS A CONTROLLED DOCUMENT.	REV. CONTROL	140710
DESIGNED BY	APPROVED BY	DESIGNED BY	APPROVED BY	DESIGNED BY	APPROVED BY	DESIGNED BY
DATE	DATE	DATE	DATE	DATE	DATE	DATE
SEE CALLOUTS	SEE CALLOUTS	SEE CALLOUTS	SEE CALLOUTS	SEE CALLOUTS	SEE CALLOUTS	SEE CALLOUTS
CUSTOMER DRAWING		SIZE	A1	DATE	00779	REV. 1
DRAWING NO.		SIZE	C=1218293	DATE	1-1	REV. 2
REVISIONS		DATE	1-1	REV. 2	1	C