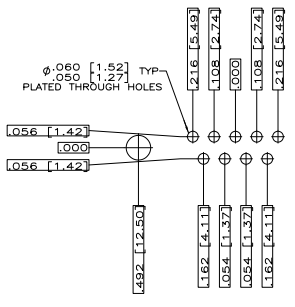


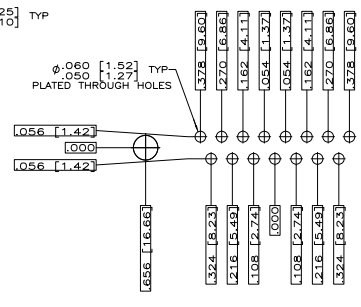


THIS DRAWING IS UNPUBLISHED  
 UNLESS OTHERWISE SPECIFIED  
 ALL RIGHTS RESERVED

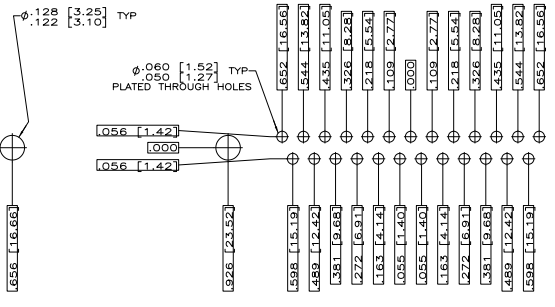
REV	DATE	DESCRIPTION	BY	APP
DF	DO			
		SEE SHEET 1		



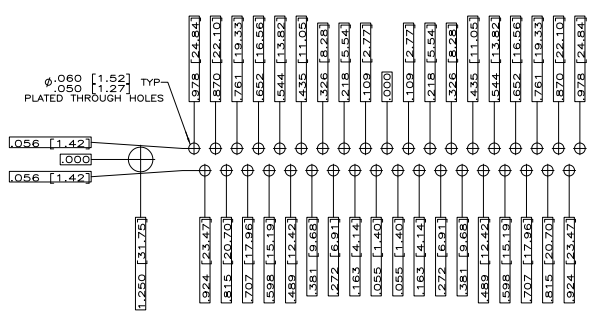
RECOMMENDED P.C. BOARD LAYOUT  
 SHELL SIZE 1 (9 POSITION)  $\Delta$



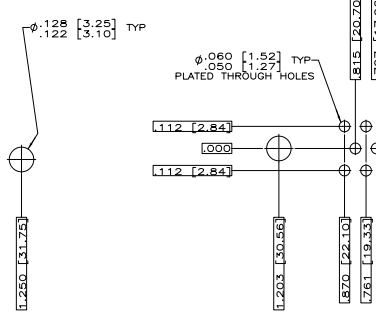
RECOMMENDED P.C. BOARD LAYOUT  
 SHELL SIZE 2 (15 POSITION)  $\Delta$



RECOMMENDED P.C. BOARD LAYOUT  
 SHELL SIZE 3 (25 POSITION)  $\Delta$



RECOMMENDED P.C. BOARD LAYOUT  
 SHELL SIZE 4 (37 POSITION)  $\Delta$



RECOMMENDED P.C. BOARD LAYOUT  
 SHELL SIZE 5 (50 POSITION)  $\Delta$

THIS DRAWING IS A CONTROLLED DOCUMENT.		DATE: 8-18-78	BY: J. THOMAS	APP: T. THOMAS	DATE: 8-17-78	BY: T. THOMAS	APP: T. THOMAS
DESIGNER: J. THOMAS	DATE: 8-18-78	BY: J. THOMAS	DATE: 8-17-78	BY: T. THOMAS	DATE: 8-17-78	BY: T. THOMAS	DATE: 8-17-78
CHECKED: J. THOMAS	DATE: 8-18-78	BY: J. THOMAS	DATE: 8-17-78	BY: T. THOMAS	DATE: 8-17-78	BY: T. THOMAS	DATE: 8-17-78
APPROVED: J. THOMAS	DATE: 8-18-78	BY: J. THOMAS	DATE: 8-17-78	BY: T. THOMAS	DATE: 8-17-78	BY: T. THOMAS	DATE: 8-17-78
SEE CALLOUTS		SEE CALLOUTS		SEE CALLOUTS		SEE CALLOUTS	
CUSTOMER DRAWING		SIZE: A1	DATE: 00779	REV: 1	REV: 2	REV: 2	REV: D