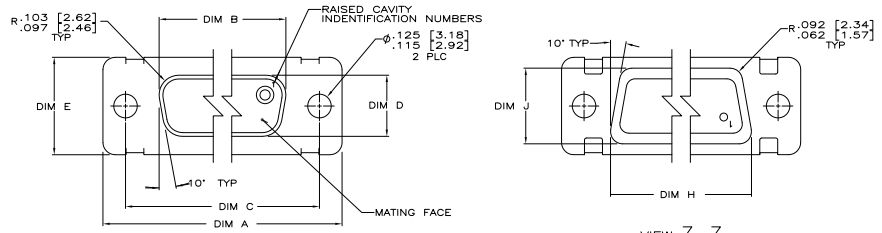
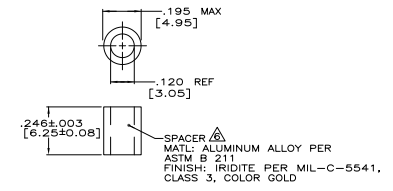
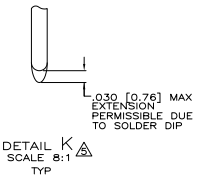
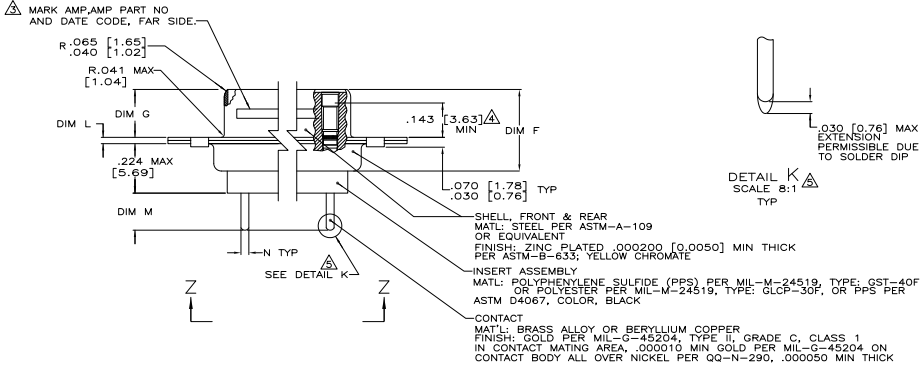


THIS DRAWING IS UNCLASSIFIED  
 UNLESS INDICATED OTHERWISE ALL RIGHTS RESERVED

REV	DATE	DESCRIPTION	BY	CHK	APP
1	21AUG07	REV PER ESD-07-07102			



- △ SEE SHEET 2 FOR RECOMMENDED P.C. BOARD LAYOUT. TRUE POSITION TOLERANCE FOR P.C. BOARD LAYOUT IS .010 [0.25] AT MAX MATERIAL CONDITION. SUGGESTED BOARD THICKNESS IS .094 [2.39]
- △ THE CONNECTORS DESCRIBED IN THIS DOCUMENT WILL MATE WITH ANY PLUG CONNECTOR WITH THE SAME INSERT ARRANGEMENT.
- △ MARKED WITH .047 [1.19]-.062 [1.57] HIGH CHARACTERS. FAR SIDE REFERS TO THE WIDE SIDE OF THE KEYSTONE. NEAR SIDE REFERS TO THE NARROW SIDE OF THE KEYSTONE. IF THE FRONT SHELL IS TOO SMALL FOR "AMP", AMP PART NUMBER AND DATE CODE, THEM SPLIT AS FOLLOWS:  
 A. AMP PART NUMBER ON REAR SHELL, NEAR SIDE.  
 B. "AMP" AND DATE CODE ON FRONT SHELL, NEAR SIDE.
- △ POINT OF ELECTRICAL ENGAGEMENT - AS MEASURED WITH A .0390 [0.991]-.0393 [0.998] DIA SQUARE ENDED TEST PIN.
- △ SOLDER DIPPED PER MIL-STD-2000 COMPOSITION S63 CONFORMING TO QQ-S-571. COVERAGE SHALL BE COMPLETE TO A DISTANCE .020 [0.51] MAX FROM INSERT ASSEMBLY.
- △ SPACERS (QTY 2) ARE SUPPLIED WITH CONNECTORS (NOT ATTACHED TO THE CONNECTOR).
- 7. DIMENSIONS APPLY PRIOR TO SOLDER DIPPING.



NO	QTY	UNIT	DESCRIPTION	DATE	BY	CHK	APP																					
.043	1.09	.176	4.47	.040	1.02	.544	13.82	2.188	55.58	.248	6.30	.439	11.15	.620	15.75	.428	10.87	2.411	61.24	2.069	52.55	2.650	67.31	MS18277-1	50	5	1218291-5	1-1218291-0
.037	0.94	.136	3.45	.020	0.51	.524	13.31	2.188	55.07	.238	6.05	.419	10.64	.590	14.91	.418	10.62	2.401	60.99	2.059	52.00	2.620	66.50	MS18276-1	27	4	1218291-4	1218291-9
.043	1.09	.176	4.47	.040	1.02	.432	10.97	2.282	57.96	.248	6.30	.439	11.15	.509	12.93	.316	8.03	2.505	63.63	2.164	54.97	2.744	69.70	MS18275-1	35	3	1218291-3	1218291-8
.037	0.94	.136	3.45	.020	0.51	.412	10.46	2.282	57.45	.238	6.05	.419	10.64	.479	12.17	.306	7.77	2.495	63.37	2.154	54.71	2.714	68.94	MS18274-1	15	2	1218291-2	1218291-7
.043	1.09	.176	4.47	.040	1.02	.432	10.97	1.093	27.76	.248	6.30	.439	11.15	.509	12.93	.316	8.03	1.847	46.91	1.506	38.25	2.073	52.65	MS18273-1	9	1	1218291-1	1218291-6
.037	0.94	.136	3.45	.020	0.51	.412	10.46	1.073	27.25	.238	6.05	.419	10.64	.479	12.17	.306	7.77	1.307	33.20	966	24.54	1.526	38.76	MS18272-1	50	5	1218291-5	1218291-1
.043	1.09	.176	4.47	.040	1.02	.432	10.97	.769	19.43	.248	6.30	.439	11.15	.509	12.93	.316	8.03	989	25.12	648	16.46	1.228	31.19	MS18271-1	9	1	1218291-1	1218291-5
.037	0.94	.136	3.45	.020	0.51	.412	10.46	.749	19.02	.238	6.05	.419	10.64	.479	12.17	.306	7.77	989	24.87	648	16.46	1.228	31.19	MS18270-1	50	5	1218291-5	1218291-4
.043	1.09	.176	4.47	.040	1.02	.432	10.97	2.282	57.96	.248	6.30	.439	11.15	.509	12.93	.316	8.03	2.505	63.63	2.164	54.97	2.744	69.70	MS18269-1	27	4	1218291-4	1218291-3
.037	0.94	.136	3.45	.020	0.51	.412	10.46	2.282	57.45	.238	6.05	.419	10.64	.479	12.17	.306	7.77	2.495	63.37	2.154	54.71	2.714	68.94	MS18268-1	35	3	1218291-3	1218291-2
.043	1.09	.176	4.47	.040	1.02	.432	10.97	1.635	41.53	.248	6.30	.439	11.15	.509	12.93	.316	8.03	1.847	47.17	1.516	38.51	2.103	53.42	MS18267-1	25	3	1218291-2	1218291-1
.037	0.94	.136	3.45	.020	0.51	.412	10.46	1.615	41.02	.238	6.05	.419	10.64	.479	12.17	.306	7.77	1.847	46.91	1.506	38.25	2.073	52.65	MS18266-1	15	2	1218291-1	1218291-1
.043	1.09	.176	4.47	.040	1.02	.432	10.97	.769	19.43	.248	6.30	.439	11.15	.509	12.93	.316	8.03	989	25.12	648	16.46	1.228	31.19	MS18265-1	50	5	1218291-5	1218291-1
.037	0.94	.136	3.45	.020	0.51	.412	10.46	.749	19.02	.238	6.05	.419	10.64	.479	12.17	.306	7.77	979	24.87	638	16.21	1.198	30.43	MS18264-1	9	1	1218291-1	1218291-1

THIS DRAWING IS A CONTROLLED DOCUMENT.

REV	DATE	DESCRIPTION	BY	CHK	APP
1	21AUG07	REV PER ESD-07-07102			

DATE: 21AUG07  
 TIME: 10:10  
 DRAWING NO: 100779  
 REV: 1  
 SHEET: 4  
 OF: 4

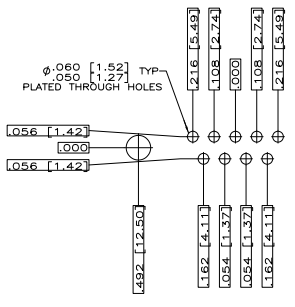
Tels Electronics Corporation  
 Harrisburg, PA 17105-3608

AMPLITE RECEPTACLE ASSY, LOW PROFILE  
 SIZE 30 POSTED CONTACTS  
 SERIES 109, SHELL SIZE 1 THRU 5

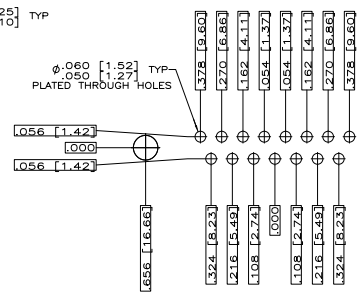
CUSTOMER DRAWING

THIS DRAWING IS UNPUBLISHED  
 UNLESS OTHERWISE SPECIFIED  
 © 2008 TYP  
 ALL RIGHTS RESERVED

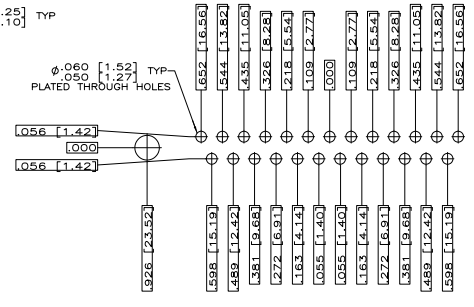
REV	DATE	DESCRIPTION	BY	APP'D
DF	DO			
		SEE SHEET 1		



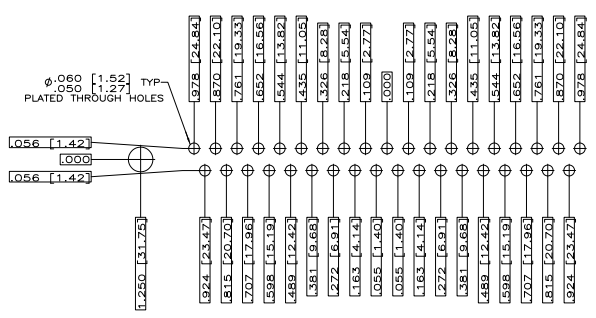
RECOMMENDED P.C. BOARD LAYOUT  
 SHELL SIZE 1 (9 POSITION)  $\Delta$



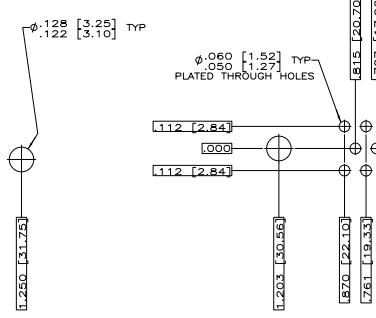
RECOMMENDED P.C. BOARD LAYOUT  
 SHELL SIZE 2 (15 POSITION)  $\Delta$



RECOMMENDED P.C. BOARD LAYOUT  
 SHELL SIZE 3 (25 POSITION)  $\Delta$



RECOMMENDED P.C. BOARD LAYOUT  
 SHELL SIZE 4 (37 POSITION)  $\Delta$



RECOMMENDED P.C. BOARD LAYOUT  
 SHELL SIZE 5 (50 POSITION)  $\Delta$

THIS DRAWING IS A CONTROLLED DOCUMENT.		DATE: 8/18/08	BY: TYP	APP'D: TYP	REV: 1
DESIGNER: TYP	ENGINEER: TYP	DATE: 8/18/08	BY: TYP	APP'D: TYP	REV: 1
DATE: 8/18/08	BY: TYP	APP'D: TYP	REV: 1	CUSTOMER DRAWING	
TYP Electronics Corporation Harrisburg, PA 17105-3608		AMPLIMITE RECEPTACLE ASSY, LOW PROFILE SIZE 20 POSTED P.C. BOARD CONTACTS SERIES 100, SIZE 1 THRU 5			
SIZE: A1	DATE: 00779	DRAWING NO: 1218291	REVISION: 1	SHEET: 2	TOTAL SHEETS: 2