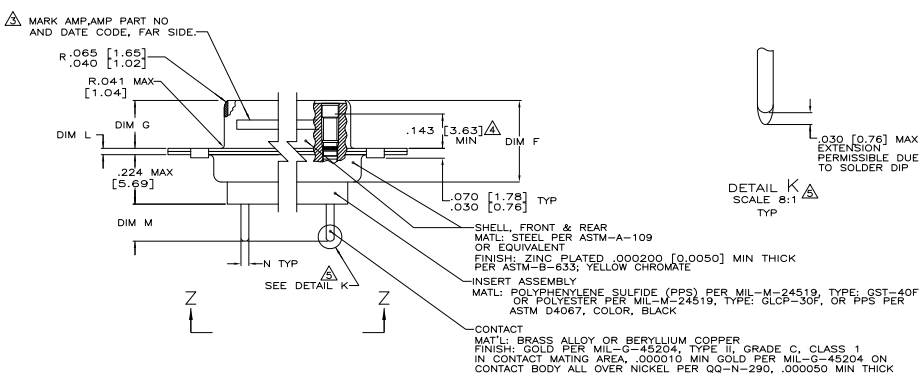
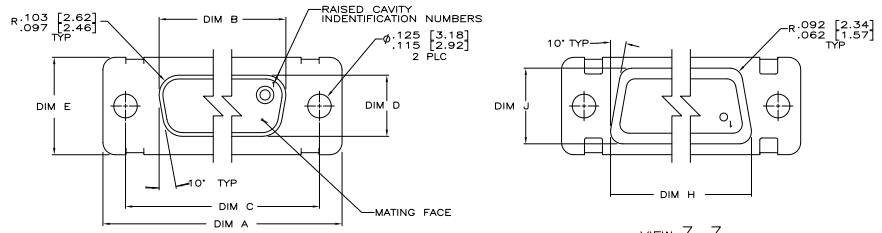


THIS DRAWING IS UNCLASSIFIED  
 UNLESS INDICATED OTHERWISE  
 ALL RIGHTS RESERVED

REV	DATE	DESCRIPTION	BY	CHKD
1				
2				
3				
4				
5				
6				
7				
8				



- SEE SHEET 2 FOR RECOMMENDED P.C. BOARD LAYOUT. TRUE POSITION TOLERANCE FOR P.C. BOARD LAYOUT IS .010 [0.25] AT MAX MATERIAL CONDITION. SUGGESTED BOARD THICKNESS IS .094 [2.39]
- THE CONNECTORS DESCRIBED IN THIS DOCUMENT WILL MATE WITH ANY PLUG CONNECTOR WITH THE SAME INSERT ARRANGEMENT.
- MARKED WITH .047 [1.19]-.062 [1.57] HIGH CHARACTERS. FAR SIDE REFERS TO THE WIDE SIDE OF THE KEYSTONE. NEAR SIDE REFERS TO THE NARROW SIDE OF THE KEYSTONE. IF THE FRONT SHELL IS TOO SMALL FOR "AMP", AMP PART NUMBER AND DATE CODE, THEN SPLIT AS FOLLOWS:  
 A. AMP PART NUMBER ON REAR SHELL, NEAR SIDE.  
 B. "AMP" AND DATE CODE ON FRONT SHELL, NEAR SIDE.
- POINT OF ELECTRICAL ENGAGEMENT - AS MEASURED WITH A .0390 [0.991]-.0393 [0.998] DIA SQUARE ENDED TEST PIN.
- SOLDER DIPPED PER MIL-STD-2000 COMPOSITION Sn63 CONFORMING TO QQ-S-571. COVERAGE SHALL BE COMPLETE TO A DISTANCE .020 [0.51] MAX FROM INSERT ASSEMBLY.
- SPACERS (QTY 2) ARE SUPPLIED WITH CONNECTORS (NOT ATTACHED TO THE CONNECTOR).
- 7. DIMENSIONS APPLY PRIOR TO SOLDER DIPPING.

N	M	L	J	H	G	F	E	D	C	B	A	INSERT ARRANGEMENT	NO OF SHELL POS	SHELL SIZE	PART NUMBER
.033 [0.84]	.176 [4.47]	.040 [1.02]	.544 [13.82]	2.188 [55.58]	.248 [6.30]	.439 [11.15]	.620 [15.75]	.428 [10.87]	2.411 [61.24]	2.069 [52.55]	2.650 [67.31]	MS18277-1	50	5	1-1218289-0
.027 [0.69]	.136 [3.45]	.020 [0.51]	.524 [13.31]	2.168 [55.07]	.238 [6.05]	.419 [10.64]	.590 [14.99]	.418 [10.62]	2.401 [60.99]	2.059 [52.30]	2.620 [66.50]	MS18276-1	37	4	1218289-9
.033 [0.84]	.176 [4.47]	.040 [1.02]	.432 [10.97]	2.282 [57.96]	.248 [6.30]	.439 [11.15]	.509 [12.93]	.316 [8.03]	2.505 [63.63]	2.164 [54.97]	2.744 [69.70]	MS18276-1	37	4	1218289-9
.027 [0.69]	.136 [3.45]	.020 [0.51]	.412 [10.46]	2.262 [57.45]	.238 [6.05]	.419 [10.64]	.479 [12.17]	.306 [7.77]	2.495 [63.27]	2.154 [54.71]	2.714 [68.94]	MS18275-1	25	3	1218289-8
.027 [0.69]	.136 [3.45]	.020 [0.51]	.412 [10.46]	1.615 [41.02]	.238 [6.05]	.419 [10.64]	.479 [12.17]	.306 [7.77]	1.847 [46.91]	1.506 [38.25]	2.073 [52.65]	MS18274-1	15	2	1218289-7
.033 [0.84]	.176 [4.47]	.040 [1.02]	.432 [10.97]	1.093 [27.76]	.248 [6.30]	.439 [11.15]	.509 [12.93]	.316 [8.03]	1.317 [33.45]	.976 [24.79]	1.556 [39.52]	MS18274-1	15	2	1218289-7
.027 [0.69]	.136 [3.45]	.020 [0.51]	.412 [10.46]	1.073 [27.25]	.238 [6.05]	.419 [10.64]	.479 [12.17]	.306 [7.77]	1.307 [33.20]	.966 [24.51]	1.526 [38.76]	MS18273-1	9	1	1218289-5
.033 [0.84]	.176 [4.47]	.040 [1.02]	.432 [10.97]	.769 [19.53]	.248 [6.30]	.439 [11.15]	.509 [12.93]	.316 [8.03]	.989 [25.12]	.648 [16.46]	1.228 [31.19]	MS18273-1	9	1	1218289-5
.027 [0.69]	.136 [3.45]	.020 [0.51]	.412 [10.46]	.749 [19.02]	.238 [6.05]	.419 [10.64]	.479 [12.17]	.306 [7.77]	.979 [24.87]	.638 [16.21]	1.198 [30.43]	MS18273-1	9	1	1218289-1

THIS DRAWING IS A CONTROLLED DOCUMENT.

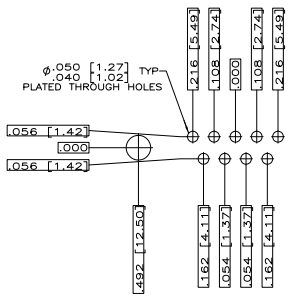
REVISIONS: 1, 2, 3, 4, 5, 6, 7, 8, 9, 10, 11, 12, 13, 14, 15, 16, 17, 18, 19, 20, 21, 22, 23, 24, 25, 26, 27, 28, 29, 30, 31, 32, 33, 34, 35, 36, 37, 38, 39, 40, 41, 42, 43, 44, 45, 46, 47, 48, 49, 50, 51, 52, 53, 54, 55, 56, 57, 58, 59, 60, 61, 62, 63, 64, 65, 66, 67, 68, 69, 70, 71, 72, 73, 74, 75, 76, 77, 78, 79, 80, 81, 82, 83, 84, 85, 86, 87, 88, 89, 90, 91, 92, 93, 94, 95, 96, 97, 98, 99, 100.

AMPLITE RECEPTACLE ASSY, LOW PROFILE  
 SIZE 20 POSTED P.C. BOARD CONTACTS  
 SERIES 109, SIZE 1 THRU 5

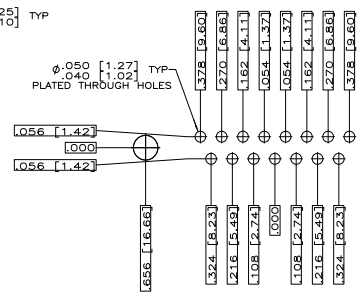
DATE: 00779  
 REV: 1218289

THIS DRAWING IS UNPUBLISHED  
 ALL RIGHTS RESERVED

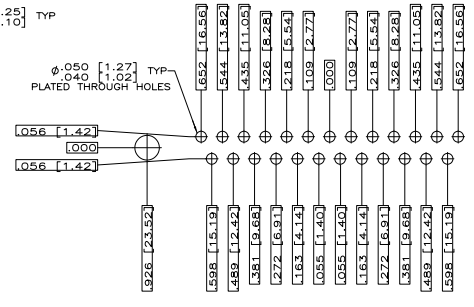
REV	DATE	DESCRIPTION	BY	APP'D
DF	DO	SEE SHEET 1	-	-



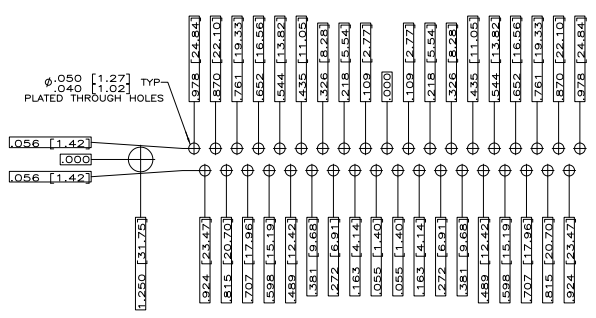
RECOMMENDED P.C. BOARD LAYOUT  
 SHELL SIZE 1 (9 POSITION)  $\Delta$



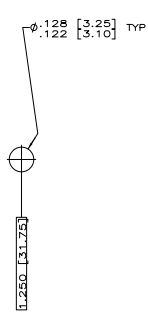
RECOMMENDED P.C. BOARD LAYOUT  
 SHELL SIZE 2 (15 POSITION)  $\Delta$



RECOMMENDED P.C. BOARD LAYOUT  
 SHELL SIZE 3 (25 POSITION)  $\Delta$



RECOMMENDED P.C. BOARD LAYOUT  
 SHELL SIZE 4 (37 POSITION)  $\Delta$



RECOMMENDED P.C. BOARD LAYOUT  
 SHELL SIZE 5 (50 POSITION)  $\Delta$

THIS DRAWING IS A CONTROLLED DOCUMENT		DATE: 8-18-78	BY: T. THOMAS	APP'D: T. THOMAS
DESIGNER: T. THOMAS	DATE: 8-17-78	BY: T. THOMAS	APP'D: T. THOMAS	DATE: 8-17-78
DR: T. THOMAS	DATE: 8-17-78	BY: T. THOMAS	APP'D: T. THOMAS	DATE: 8-17-78
CHK: T. THOMAS	DATE: 8-17-78	BY: T. THOMAS	APP'D: T. THOMAS	DATE: 8-17-78
APP: T. THOMAS	DATE: 8-17-78	BY: T. THOMAS	APP'D: T. THOMAS	DATE: 8-17-78
SEE CALLOUTS	SEE CALLOUTS	CUSTOMER DRAWING	SIZE: A1	DATE: 100779