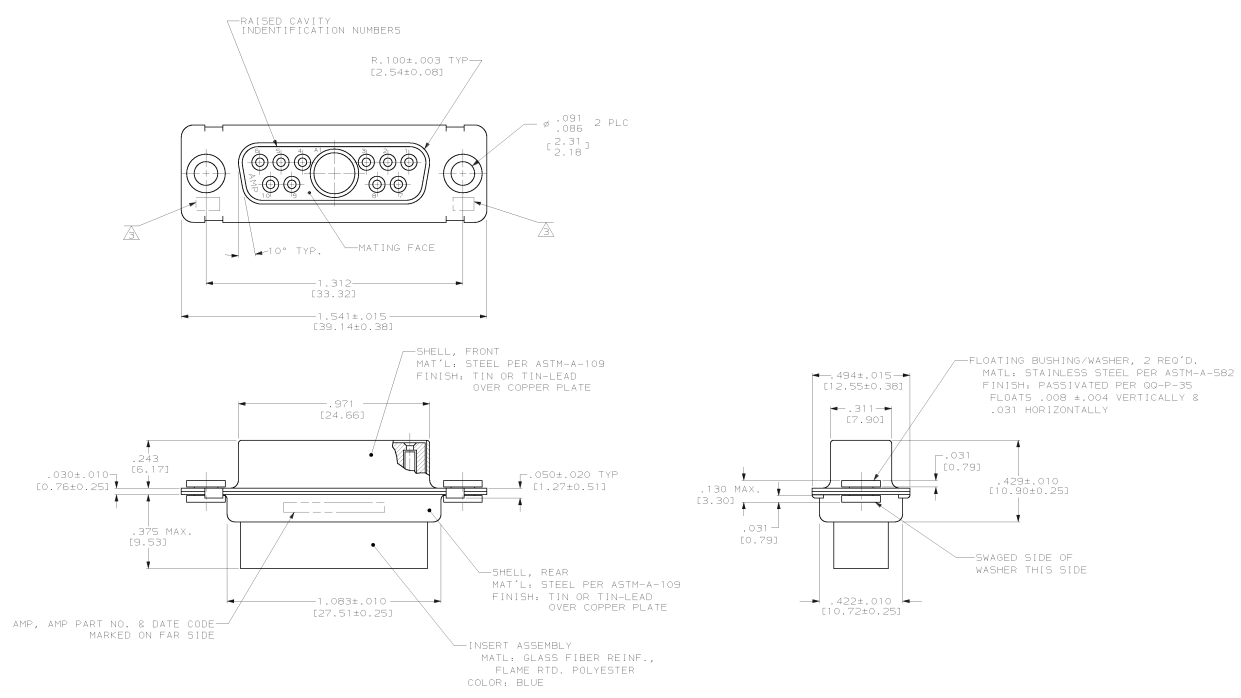


REV	DATE	DESCRIPTION	BY	CHK	APP
0		PROPOSAL DRAWING			



1. STAINLESS STEEL RETENTION CLIPS ARE INCLUDED IN INSERTS AT POSITIONS 1 THRU 10
2. POSITIONS 1 THRU 10 WILL ACCEPT SIZE 20 SOCKET CONTACT M99029/63-368 OR AMP PART NO 205090-1
- UL/CSA DESIGNATION STAMPED IN THIS AREA, OPTIONAL
4. CONTACTS NOT SUPPLIED WITH CONNECTOR

1663034-1
PART NO.

THIS DRAWING IS A CONTROLLED DOCUMENT.		BY: J. THOMAS	DATE: 01/01/00
INCHES (MM)	UNITS (MM)	BY: J. THOMAS	DATE: 01/01/00
1/16"	1.5748	BY: J. THOMAS	DATE: 01/01/00
1/32"	3.1496	BY: J. THOMAS	DATE: 01/01/00
3/64"	4.7144	BY: J. THOMAS	DATE: 01/01/00
1/16"	1.5748	BY: J. THOMAS	DATE: 01/01/00
1/32"	3.1496	BY: J. THOMAS	DATE: 01/01/00
3/64"	4.7144	BY: J. THOMAS	DATE: 01/01/00
SEE CALLOUTS	SEE CALLOUTS	DATE: 01/01/00	BY: J. THOMAS
CUSTOMER DRAWING		DATE: 01/01/00	BY: J. THOMAS

1663034-1
PART NO.

PCPT ASSY 11CT COAX MIX
SIZE 2, AMPLITE
WITH FLOAT BUSHINGS

THE USE OF THIS DRAWING IS LIMITED TO THE PROJECT AND QUANTITY SPECIFIED HEREIN.

1663034