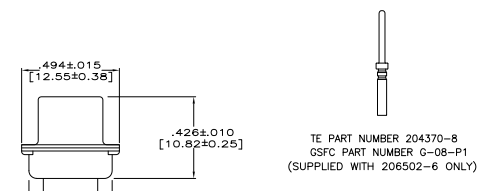
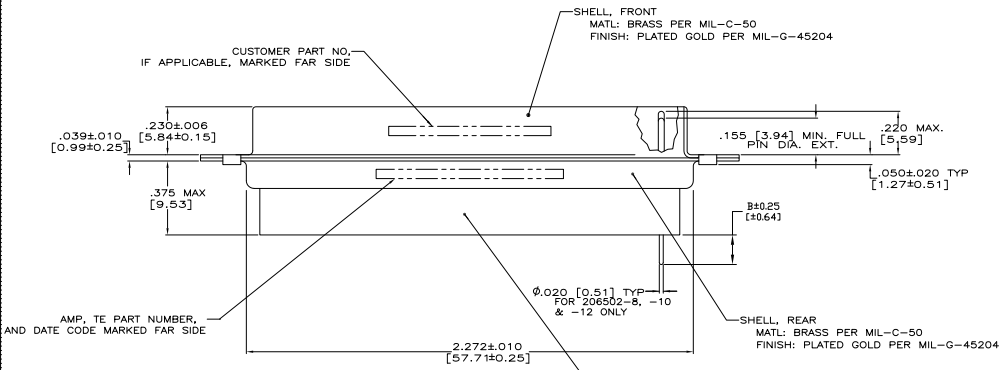


- THIS PLUG WILL MATE WITH ANY RECEPTACLE CONNECTOR WITH THE SAME INSERT ARRANGEMENT AS DEFINED BY MS18276-2.
 - MAXIMUM WIRE INSULATION USED WITH THIS PLUG IS .054 (1.37) DIA.
 - Be-Cu RETENTION CLIPS ARE INCLUDED IN INSERTS.
- ▲ INSPECTION REQUIREMENTS PER R4383.
 - ▲ CONNECTOR SUPPLIED WITH 69 CONTACTS, AMP PART NUMBER 204370-8. INSPECTION REQUIREMENTS PER R4383 WITHOUT TESTS FOR HIGH ALTITUDE DIELECTRIC WITHSTANDING VOLTAGE AS CALLED FOR IN TABLE II SCREENING AND TESTING.
 - ▲ UL/CSA DESIGNATION STAMPED IN THIS AREA, OPTIONAL.
 - ▲ CONNECTOR LOADED WITH POSTED CONTACTS. INSPECTION REQUIREMENTS PER GENERAL ELECTRIC DOCUMENT 20085720.
 - ▲ RESTRICTED TO CAE ELECTRONICS ONLY.
 - ▲ THESE CONNECTORS ARE QUALIFIED TO GORDARD SPACE FLIGHT CENTER SPECIFICATION S-31-P-4.
 - ▲ CONNECTOR LOADED WITH POSTED CONTACTS.
 - ▲ CONNECTOR LOADED WITH POSTED CONTACTS. INSPECTION REQUIREMENTS PER LM DOCUMENT 20131204.



CUSTOMER PART NO., IF APPLICABLE, MARKED FAR SIDE

AMP, TE PART NUMBER, AND DATE CODE MARKED FAR SIDE

INSERT ASSEMBLY
 MATL: DIALYL PHTHALATE, TYPE SDG-F
 PER MIL-M-14,
 COLOR: BLUE
 OR POLYPHENYLENE SULFIDE (PPS) COLOR: BLACK
 PER MIL-M-24519, TYPE GST-40F.

REMARKS	DIA B	DIA A	CUSTOMER P/N DN CONNECTOR	TE P/N DN CONNECTOR	TE P/N
▲	.150 (3.81)	.120 (3.05)	20131204P2026P	1-206502-2	1-206502-2
▲	---	.120 (3.05)	570566-10	1-206502-1	1-206502-1
▲	.175 (4.45)	.120 (3.05)	---	1-206502-0	1-206502-0
▲	---	.120 (3.05)	31P407-4P-B-12	206502-4	206502-9
▲	.150 (3.81)	.120 (3.05)	20025720P2062P	206502-8	206502-8
▲	---	.154 (3.91)	SC81D139-054	206502-7	206502-7
▲	---	.120 (3.05)	R4383P62P	206502-6	206502-6
▲	---	.120 (3.05)	R4383P62P-2	206502-5	206502-5
▲	---	.120 (3.05)	31P407-4P-B-12	206502-4	206502-4
▲	---	.154 (3.91)	---	206502-3	206502-3
▲	---	.120 (3.05)	R9259P62P	206502-2	206502-2
▲	---	.154 (3.91)	31P407-4P-B-15	206502-1	206502-1

THIS DRAWING IS A CONTROLLED DOCUMENT. DATE: 12-18-08

DESIGNED BY: M. CLOUSER DATE: 12-18-08

APPROVED BY: J. CANTLEN DATE: 12-18-08

TE Connectivity

AMPLITUDE NONMAGNETIC PLUG ASSEMBLY, SERIES 90, SHELL SIZE 4, 62 POSITION

SIZE: A1 DATE: 00779 Q=206502

CUSTOMER DRAWING