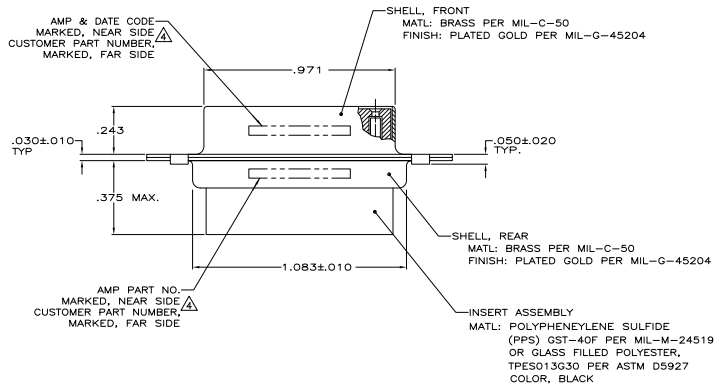
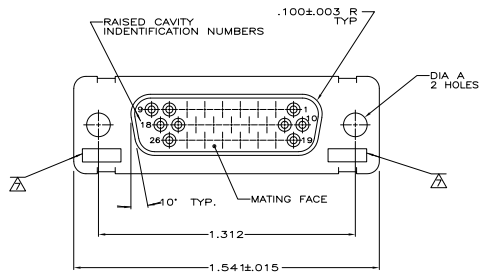
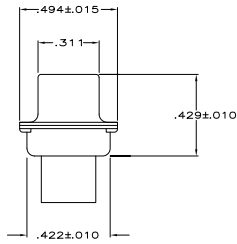


REV	DATE	DESCRIPTION	BY	CHK	APP
1					



1. THIS RECEPTACLE WILL MATE WITH ANY PLUG CONNECTOR WITH THE SAME INSERT ARRANGEMENT AS DEFINED BY MS18274-2.
 2. MAXIMUM WIRE INSULATION USED WITH THIS RCPT. IS .054 DIA.
 3. Be-Cu RETENTION CLIPS ARE INCLUDED IN INSERTS.
- △ CUSTOMER PART NUMBER MAY BE SPLIT BETWEEN FRONT AND REAR SHELLS, SAME SIDE.
 - △ INSPECTION REQUIREMENTS PER R4383.
 - △ CONNECTOR SUPPLIED WITH 29 CONTACTS, AMP PART NUMBER 206071-1. INSPECTION REQUIREMENTS PER R4383 WITHOUT TESTS FOR HIGH ALTITUDE DIELECTRIC WITHSTANDING VOLTAGE AS CALLED FOR IN TABLE II SCREENING AND TESTING.
 - △ UL/CSA DESIGNATION STAMPED IN THIS AREA.
 - △ CONNECTOR SUPPLIED WITH 36 CONTACTS, AMP PART NUMBER 206071-1. CLASS B TESTING PER GE DOCUMENT 20025720, KIT WITH CONTACTS 206071-1.
 - △ THESE CONNECTORS ARE QUALIFIED TO GODDARD SPACE FLIGHT CENTER SPECIFICATION S-311-P-4.
 - △ RESTRICTED TO CAE ELECTRONICS ONLY.



AMP P/N 206071-1
 GSFC P/N G-08-S1
 (SUPPLIED WITH 206064-6 AND 206064-8 ONLY)

REMARKS	DIA A	MARKED CUSTOMER P/N	MARKED AMP P/N	AMP P/N
△	.120	570566-2	1-206501-0	1-206501-0
△	.120	311P407-2S-B-12	206501-4	206501-9
△	.120	20025720P1026S	206501-8	206501-8
△	.154	1622380-001	206501-7	206501-7
△	.120	R4383P26S	206501-6	206501-6
△	.120	R4383P26S-2	206501-5	206501-5
△	.120	311P407-2S-B-12	206501-4	206501-4
△	.154	R9259P26S	206501-3	206501-3
△	.120	R9259P26S	206501-2	206501-2
△	.154	311P407-2S-B-15	206501-1	206501-1

THIS DRAWING IS A CONTROLLED DOCUMENT. SEE CALLOUTS

DESIGNED BY: J. MILLER
 CHECKED BY: J. MILLER
 DATE: 08/08/08

REVISIONS: 1
 DATE: 08/08/08
 DRAWING NO: 100779
 CUSTOMER DRAWING: G=206501

RECEPTACLE, PIN CONTACTS
 HI-DENSITY D CONNECTOR
 SIZE 2, 26 POS, NONMAGNETIC

DATE: 08/08/08
 DRAWING NO: 100779
 CUSTOMER DRAWING: G=206501