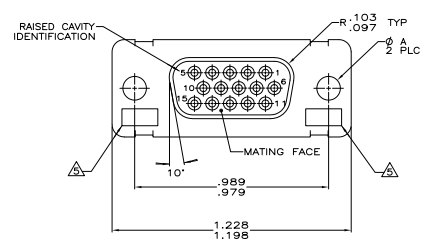
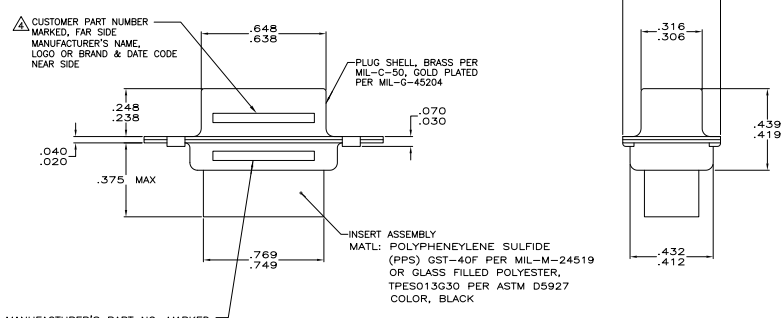


THIS DRAWING IS UNPUBLISHED
 ALL RIGHTS RESERVED

REV	DATE	DESCRIPTION	BY	CHK	APP
DF	DO				
Y		REV PER E20-11-015462		020611	PY RL



1. THIS RECEPTACLE WILL MATE WITH ANY PLUG CONNECTOR WITH THE SAME INSERT ARRANGEMENT AS DEFINED BY MS18273-2.
 2. MAXIMUM WIRE INSULATION TO BE USED WITH THIS RECEPTACLE IS .054 DIA.
 3. BE. CU. RETENTION CLIPS ARE INCLUDED IN INSERTS.
- ⚠ CUSTOMER PART NUMBER MAY BE SPLIT BETWEEN FRONT AND REAR SHELL, SAME SIDE.
 - ⚠ UL/CSA DESIGNATION STAMPED IN THIS AREA, OPTIONAL.
 - ⚠ INSPECTION REQUIREMENTS PER R4383.
 - ⚠ CONNECTOR SUPPLIED WITH 17 CONTACTS, AMP PART NUMBER 206071-1. INSPECTION REQUIREMENTS PER R4383.
 - ⚠ CONNECTOR SUPPLIED WITH 25 CONTACTS, AMP PART NUMBER 206071-1. INSPECTION REQUIREMENTS PER R4383.
 - ⚠ THESE CONNECTORS ARE QUALIFIED TO GODDARD SPACE FLIGHT CENTER SPECIFICATIONS S-311-P-4.
 - ⚠ RESTRICTED TO CAE ELECTRONICS ONLY.



AMP P/N 206071-1
 GSFC P/N G-08-S1
 (SUPPLIED WITH 206064-6 AND 206064-7 ONLY)

.120		570566-1	1-206499-0	1-206499-0
.154	⚠	311P407-1S-B-15	206499-1	206499-9
.120	⚠	311P407-1S-B-12	206499-4	206499-8
.120	⚠	20025720P1015S	206499-7	206499-7
.120	⚠	R4383 P15S	206499-6	206499-6
.120	⚠	R4383 P15S-2	206499-5	206499-5
.120	⚠	311P407-1S-B-12	206499-4	206499-4
.154		----	206499-3	206499-3
.120		R9259P15S	206499-2	206499-2
.154	⚠	311P407-1S-B-15	206499-1	206499-1
Ø A	REMARKS	CUSTOMER P/N	MARKED AMP P/N	PART NO

MANUFACTURER'S PART NO. MARKED NEAR SIDE; CUSTOMER PART NO. MARKED FAR SIDE ⚠

THIS DRAWING IS A CONTROLLED DOCUMENT. **TE** VEAGER 0206068 **TE** MILLER 0206068 **TE** MILLER 0206068 **TE** MILLER 0206068

RECEPTACLE FOR SOCKET CONTACTS
 HIGH DENSITY B, 15 POSN, SIZE 1
 NONMAGNETIC

SIZE DATE SIZE DRAWING NO. 100779 G=206499

CUSTOMER DRAWING