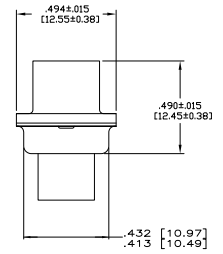
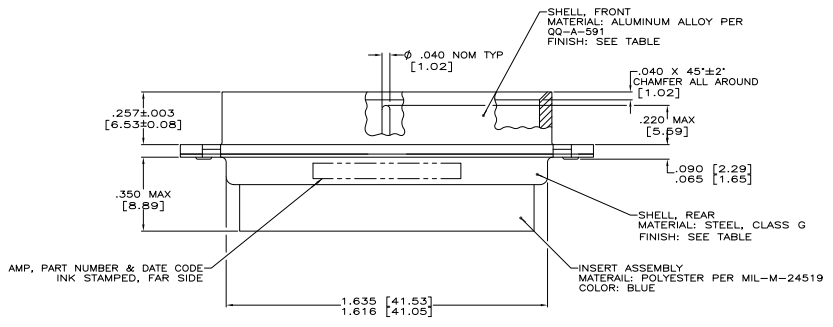
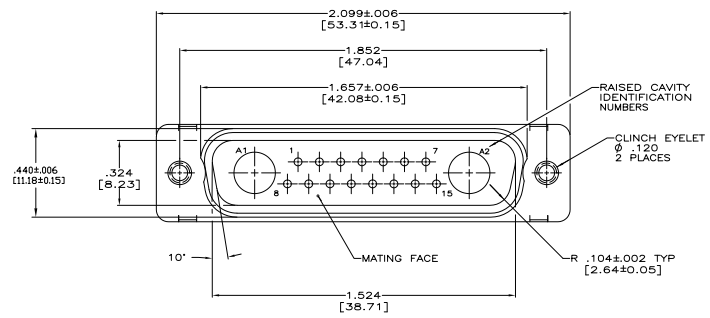


THIS DRAWING IS UNPUBLISHED
 RECEIVED FOR PUBLICATION
 BY THE ELECTRONICS CORPORATION ALL RIGHTS RESERVED

REV	DATE	DESCRIPTION	BY	CHK	APP
DF	DO				
C		REV PER ECN 08-014839			



1. THIS PLUG WILL MATE WITH ANY 17C2, SIZE 3 RECEPTACLE IN AMPLIMITE SERIES.
 2. MAXIMUM WIRE INSULATION TO BE USED WITH THIS PLUG IS .068 DIA.
 3. STAINLESS STEEL RETENTION CLIPS (15) ARE INCLUDED IN INSERT ASSEMBLY.
 4. THIS PLUG IS DESIGNED TO CONFORM TO THE LATEST ISSUE OF MIL-C-24308.
 5. THIS CONNECTOR ACCEPTS SIZE 20 PIN SIGNAL CONTACTS, PURCHASED SEPARATELY.
 6. USE 2 SIZE 8 PDWER DR CDAX PIN CONTACTS, PURCHASED SEPARATELY.
 7. SEE AMP CATALOGS 79-547 AND 74-286 FOR CONTACTS.
- △ FINISH: CADMIUM PER QQ-P-416; YELLOW CHROME.
 △ FINISH: ZINC PLATED PER ASTM-B-633 .000200 MIN THK WITH SUPPLEMENTARY CHROME (Cr-3+).

△	S-447724-1
△	447724-1
△	FINISH PART NO.

THIS DRAWING IS A CONTROLLED DOCUMENT.		BY SHELEY 11-21-81	DATE 11-28-81	REV 1	DATE 11-28-81	REV 1	DATE 11-28-81	REV 1
DRAWING NO. 17C2 SIZE 3		DESIGNED BY SHELEY	DATE 11-28-81	REV 1	DATE 11-28-81	REV 1	DATE 11-28-81	REV 1
MATERIAL: ALUMINUM		DATE 11-28-81	REV 1	DATE 11-28-81	REV 1	DATE 11-28-81	REV 1	DATE 11-28-81
SPECIFICATION: MIL-C-24308		DATE 11-28-81	REV 1	DATE 11-28-81	REV 1	DATE 11-28-81	REV 1	DATE 11-28-81
DRAWING NO. 17C2 SIZE 3		DATE 11-28-81	REV 1	DATE 11-28-81	REV 1	DATE 11-28-81	REV 1	DATE 11-28-81
DRAWING NO. 17C2 SIZE 3		DATE 11-28-81	REV 1	DATE 11-28-81	REV 1	DATE 11-28-81	REV 1	DATE 11-28-81
DRAWING NO. 17C2 SIZE 3		DATE 11-28-81	REV 1	DATE 11-28-81	REV 1	DATE 11-28-81	REV 1	DATE 11-28-81

15/JUL/2008 US016412 H:\doc\mfg\447724-1-c.dwg