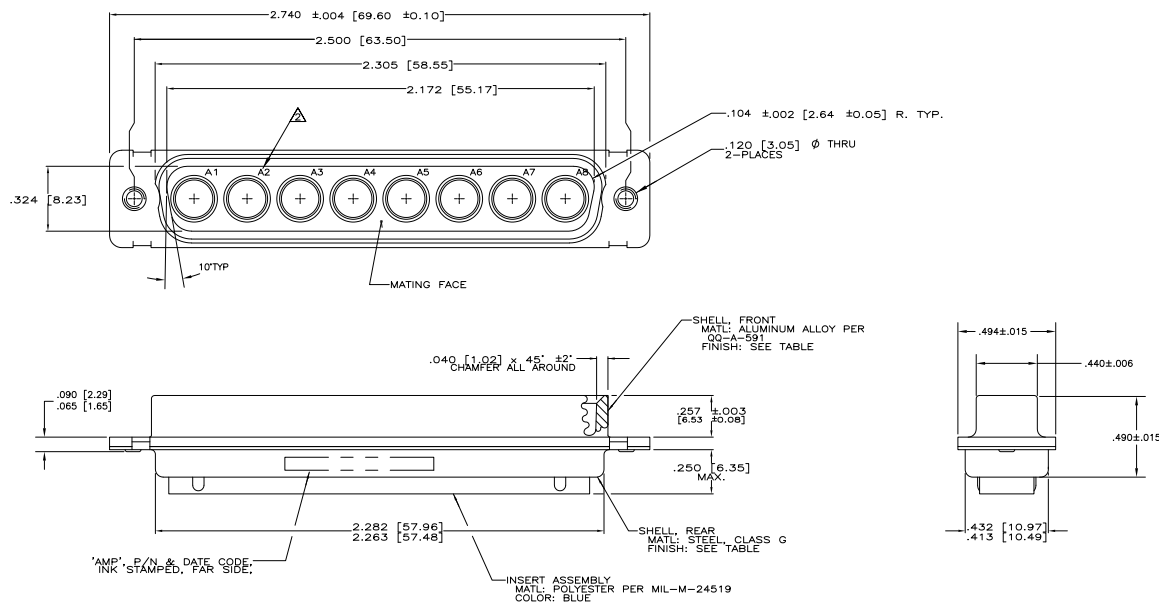


THIS DRAWING IS UNPUBLISHED  
 ALL RIGHTS RESERVED

REVIEWS		DATE	BY	APP'D
DF	DO			



- THIS RCPT. IS DESIGNED TO CONFORM TO THE LATEST ISSUE OF MIL-C-24309
- RAISED NUMBERS FOR IDENTIFICATION OF CIRCUIT HOLES.
- CONTACTS NOT SUPPLIED WITH ASSEMBLY. CONTACTS TO BE PURCHASED SEPARATELY.
- FINISH: CADMIUM PER QQ-P-416; YELLOW CHROMATE.
- FINISH: ZINC PLATED PER ASTM-B-633 .000200 MIN THK WITH SUPPLEMENTARY CHROMATE (Cr3+).

THIS DRAWING IS A CONTROLLED DOCUMENT.		REV. NO.	DATE	DESCRIPTION
1	INITIALS	1	10/10/11	REV PER E20-11-017724
2				
3				

REVISIONS	DATE	BY	APP'D
1	10/10/11	PY	RL

REMARKS	PART NO
	447719-1

THIS DRAWING IS A CONTROLLED DOCUMENT.	DATE	DESCRIPTION
1	10/10/11	REV PER E20-11-017724
2		
3		

DATE	DESCRIPTION	REVISIONS
10/10/11	REV PER E20-11-017724	1

CUSTOMER DRAWING	DATE	DESCRIPTION
	10/10/11	REV PER E20-11-017724