

4

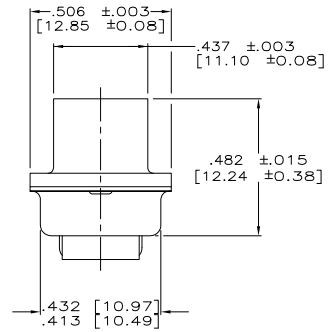
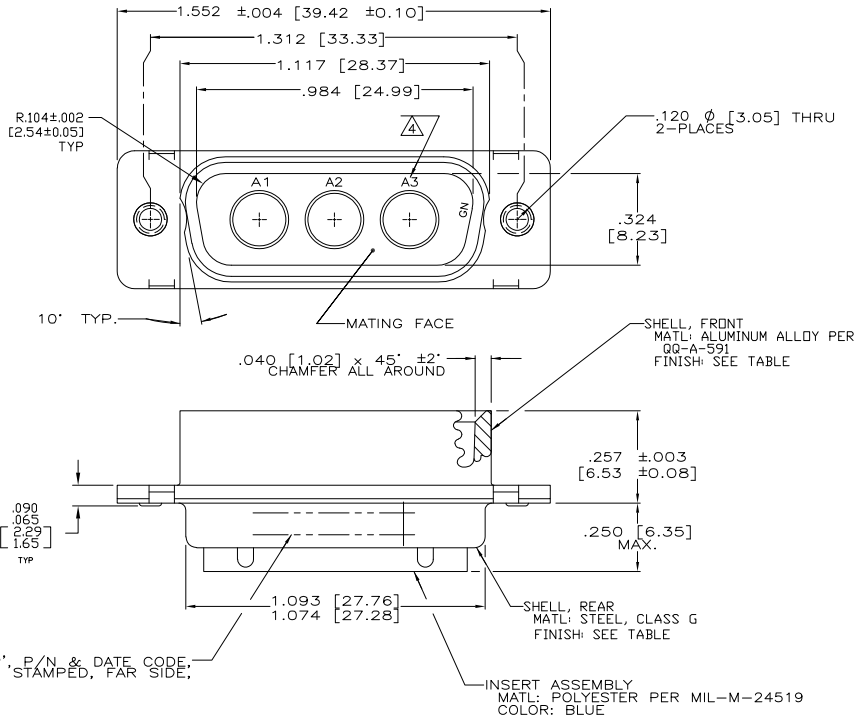
3

2

1

THIS DRAWING IS UNPUBLISHED. RELEASED FOR PUBLICATION
 © COPYRIGHT BY TYCO ELECTRONICS CORPORATION. ALL RIGHTS RESERVED.

LOC	DIST	REVISIONS			DATE	MIN	APD
DF	D5	P	LTR	DESCRIPTION			
		A		REV PER EDD 05-13647	4-6-06	CT	DM



'AMP', P/N & DATE CODE
 INK STAMPED, FAR SIDE.

- THIS PLUG WILL MATE WITH ANY 3C3, SIZE 2 RECEPTACLE IN AMPLIMITE SERIES.
 - THIS PLUG IS DESIGNED TO CONFORM TO THE LATEST ISSUE OF MIL-C-24308.
 - CONTACTS NOT SUPPLIED WITH ASSEMBLY. CONTACTS TO BE PURCHASED SEPARATELY.
- ▲ RAISED NUMBERS FOR IDENTIFICATION OF CIRCUIT HOLES.
 ▲ FINISH: CADMIUM PER QQ-P-416; YELLOW CHROMATE.
 ▲ FINISH: ZINC PLATED PER ASTM-B-633 .000200 MIN THK WITH SUPPLEMENTARY CHROMATE (C<3+>).

▲	5-447717-1
▲	447717-1
FINISH	PART NO.

THIS DRAWING IS A CONTROLLED DOCUMENT.		DR: C. THOMAS 4-6-06	Tyco Electronics Corporation Harrisburg, PA 17105-3608	
DIMENSIONS: INCHES		OK: D. MILLER 4-7-06	AMP	
TOLERANCES UNLESS OTHERWISE SPECIFIED:		APD: D. MILLER 4-7-06	NAME	
Ø	PLC	± .005	PRODUCT SPEC	
Ø	PLC	± .005	APPLICATION SPEC	
Ø	PLC	± .005	HEIGHT	
Ø	PLC	± .005	SIZE	
Ø	PLC	± .005	CHG CODE	
Ø	PLC	± .005	DRAWING NO.	
Ø	PLC	± .005	RESTRICTED TO	
Ø	PLC	± .005	A2 00779 C=447717	
Ø	PLC	± .005	SCALE 4:1 SHEET 1 of 1 REV A	
Ø	PLC	± .005	CUSTOMER DRAWING	

AMP 1471-9 REV 31MM2000

10APR2006 12:38pm us016412 H:\docmod\447717_1_c.dwg