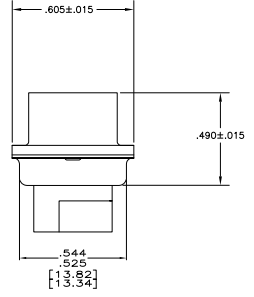
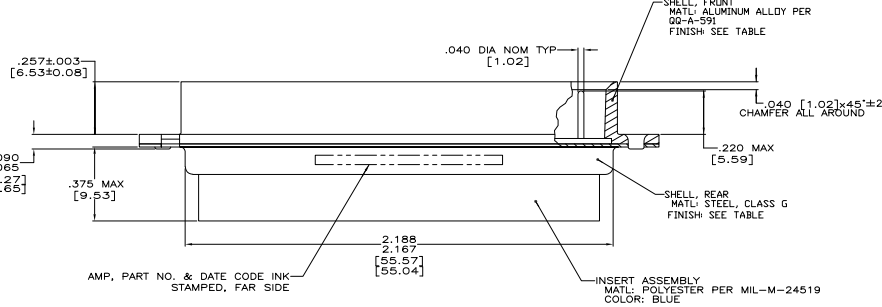
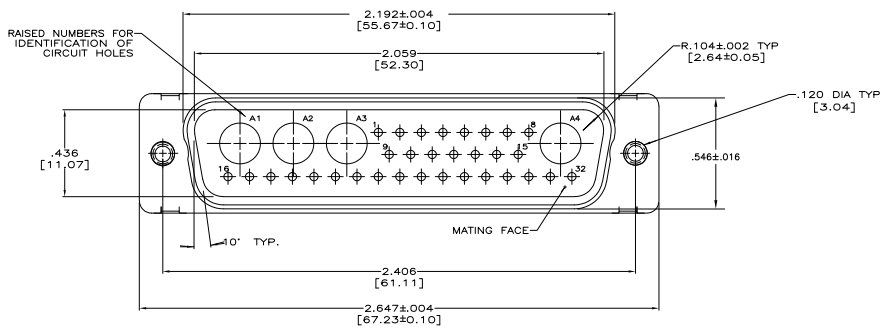


THIS DRAWING IS UNPUBLISHED
 UNLESS INDICATED OTHERWISE
 ALL RIGHTS RESERVED

REV	DATE	DESCRIPTION	BY	CHK	APP
DF	DO				
D		REV PER ECO 05-13647			



- THIS PLUG WILL MATE WITH ANY 3604, SIZE 5 RECEPTACLE IN AMPLIMITE SERIES.
- MAXIMUM WIRE INSULATION TO BE USED WITH THIS PLUG IS .068 DIA [1.73].
- STAINLESS STEEL RETENTION CLIPS ARE INCLUDED IN INSERTS.
- THIS PLUG IS DESIGNED TO CONFORM TO THE LATEST ISSUE OF MIL-C-24308.
- CONNECTOR SUPPLIED WITHOUT CONTACTS; SHOWN FOR ILLUSTRATION ONLY.
- THIS PLUG WILL ACCEPT SIZE 20 DM PIN CONTACT M39029/64-369 OR ANY AMP HDU-20 PIN CONTACT.

- UL/CSA DESIGNATION STAMPED IN THIS AREA
- DIMENSIONS IN BRACKETS ARE IN MILLIMETERS. METRIC EQUIVALENTS ARE BASED UPON 1.00 INCH = 25.4 mm.
- FINISH: CADMIUM PER QQ-P-416; YELLOW CHROMATE.
- FINISH: ZINC PLATED PER ASTM-B-633 .000200 MIN THK WITH SUPPLEMENTARY CHROMATE (Cr3+).

5-446710-1	
446710-1	
FINISH	PART NO.

THIS DRAWING IS A CONTROLLED DOCUMENT.		REV. C. THOMAS	1/13/88	 Tyco Electronics Corporation Harrisburg, PA 17105-3608
DESIGNED BY		REV. D	1/14/88	
CHECKED BY		REV. E	1/14/88	PLUG ASSY, BLINDMATE 3604, AMPLIMITE SIZE 5, SERIES 109
DRAWN BY		REV. F	1/14/88	
DATE		REV. G	1/14/88	SIZE: 4.1 DATE: 10/07/79 DRAWING NO: 446710 CUSTOMER DRAWING