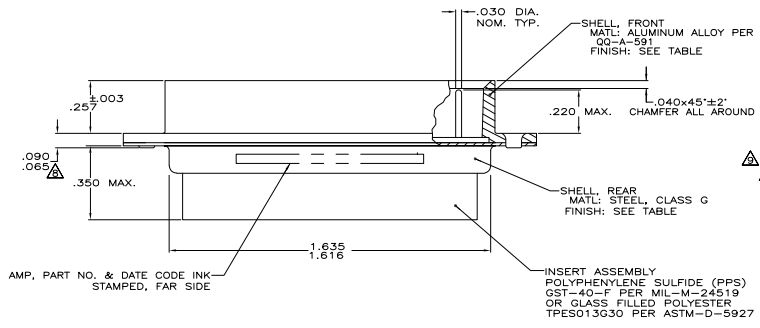
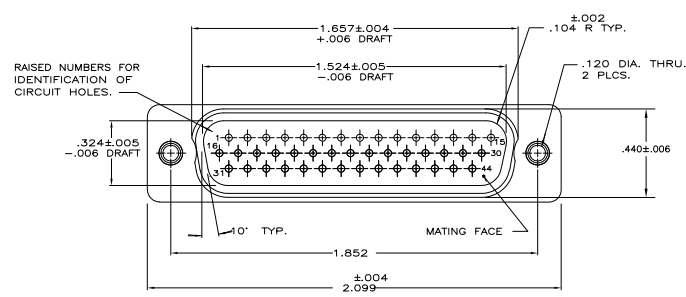


THIS DRAWING IS UNPUBLISHED. REPRODUCED FOR INFORMATION. ALL RIGHTS RESERVED.

REV	DATE	DESCRIPTION	BY	CHK
DF	DO			
R		REV PER ECO-06-013704	27AM06	PY DM



1. THIS PLUG WILL MATE WITH ANY 44 POSN. SIZE 3 RECEPTACLE IN AMPLIMITE SERIES.
 2. MAXIMUM WIRE INSULATION TO BE USED WITH THIS PLUG IS .054 DIA.
 3. SST RETENTION CLIPS ARE INCLUDED IN INSERTS.
 4. THIS PLUG IS DESIGNED TO CONFORM TO THE LATEST ISSUE OF MIL-C-24308.
 5. CONNECTOR SUPPLIED WITHOUT CONTACTS SHOWN FOR ILLUSTRATION ONLY.
 6. THIS PLUG WILL ACCEPT SIZE 22 DF PIN CONTACT M39029/58-22-22D OR ANY AMP SIZE 22 DF PIN CONTACT.
- ▲ U.S. MILITARY DESIGNATION STAMPED IN THIS AREA.
 ▲ 100% INSPECTION REQUIRED.
 ▲ THIS FEATURE TO BE MEASURED WHILE COMPRESSED.
 ▲ FINISH: CADMIUM PER QQ-P-416 YELLOW CHROME.
 ▲ FINISH: ZINC PLATED PER ASTM-B-633 .000200 MIN THK WITH SUPPLEMENTARY CHROME (C-3+).

REMARKS	FINISH	PART NO.
▲	▲	5-445011-2
▲	▲	5-445011-1
▲	▲	445011-2
▲	▲	445011-1

THIS DRAWING IS A CONTROLLED DOCUMENT. DATE: 10-17-83

DRAWN BY: J. BALLEW
 CHECKED BY: J. BALLEW
 APPROVED BY: J. BALLEW
 DATE: 10-17-83

THIS DRAWING IS A CONTROLLED DOCUMENT. DATE: 10-17-83
 DRAWN BY: J. BALLEW
 CHECKED BY: J. BALLEW
 APPROVED BY: J. BALLEW
 DATE: 10-17-83

CUSTOMER DRAWING: A100779G=445011
 TITLE: 4-1
 SHEET: 1 of 1
 REV: R