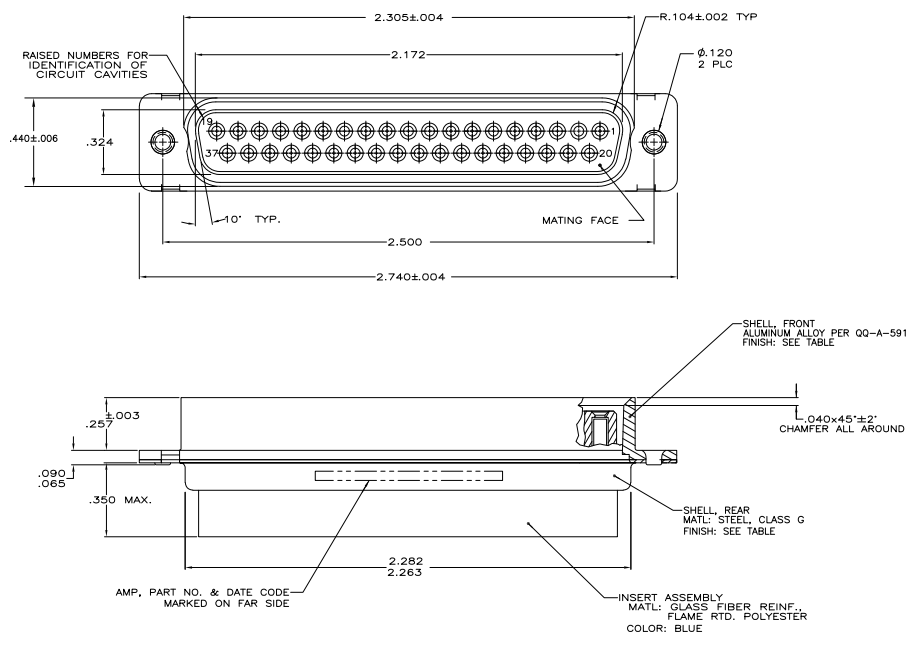
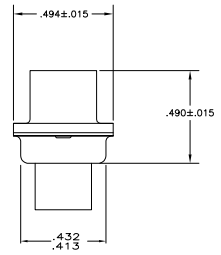


THIS DRAWING IS UNPUBLISHED. ALL RIGHTS RESERVED.  
 © 2008 BY Tyco Electronics Corporation. ALL RIGHTS RESERVED.

| REV | DATE | DESCRIPTION           | BY | APP           |
|-----|------|-----------------------|----|---------------|
| DF  | DO   |                       |    |               |
| B   |      | REV PER ECO 05-014885 |    | 4-10-06 CT DM |



1. MAXIMUM WIRE INSULATION TO BE USED WITH THIS PLUG IS .068 DIA.
  2. SST RETENTION CLIPS ARE INCLUDED IN INSERTS.
  3. THIS PLUG WILL ACCEPT SIZE 20 SOCKET CONTACT M39029/63-368 OR AMP PART NUMBER 200090-1.
- △ FINISH: CADMIUM PER QQ-P-416; YELLOW CHROMATE.  
 △ FINISH: ZINC PLATED PER ASTM-B-633 .000200 MIN THK WITH SUPPLEMENTARY CHROMATE (Cr3+).



| REMARKS | PART NUMBER |
|---------|-------------|
|         | 5-1484948-1 |
|         | 1484948-1   |

| THIS DRAWING IS A CONTROLLED DOCUMENT. |      | REV. C. THOMAS |      | REV. B. THOMAS |      | REV. A. THOMAS |      |
|--|------|----------------|------|----------------|------|----------------|------|
| DESIGNER                               | DATE | DR             | DATE | DR             | DATE | DR             | DATE |
| CHKD                                   |      | CHKD           |      | CHKD           |      | CHKD           |      |
| APP'D                                  |      | APP'D          |      | APP'D          |      | APP'D          |      |
| REV                                    |      | REV            |      | REV            |      | REV            |      |
| SEE CALLOUTS                           |      | SEE CALLOUTS   |      | SEE CALLOUTS   |      | SEE CALLOUTS   |      |
| CUSTOMER DRAWING                       |      | A1             |      | 00779          |      | G=1484948      |      |
|  |      | SIZE           |      | 4:1            |      | SHEET 1 OF 1   |      |