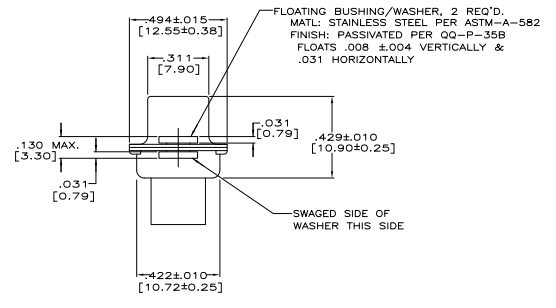
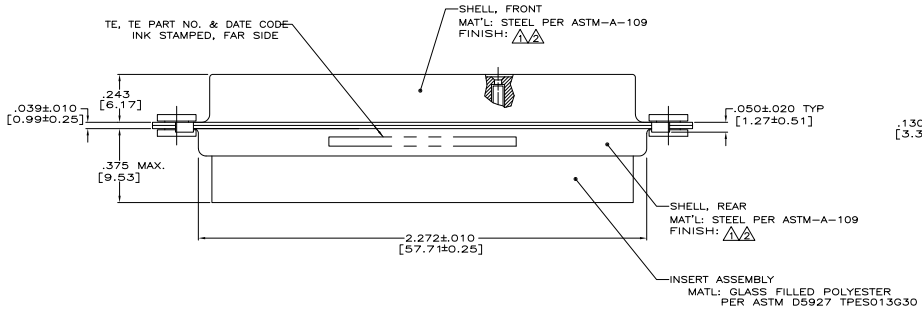
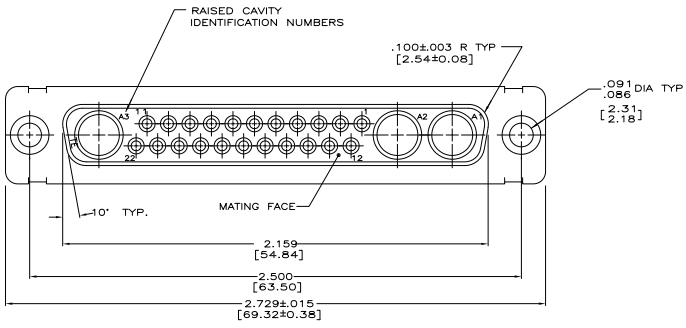


THIS DRAWING IS UNPUBLISHED
 UNLESS INDICATED OTHERWISE
 © 2008 BY TYS ELECTRONICS CORPORATION ALL INFORMATION IS UNCLASSIFIED

REV	DATE	DESCRIPTION	BY	APP
DF	DO			
C		REVISED PER ECO-09-013174		

- △ CADMIUM .000300 TO .000600 INCH THICK PER QQ-P-416, TYPE II, CLASS 2, OVER COPPER, .000100 TO .000150 INCH THICK PER MIL-C-14550, CLASS IV.
- △ TIN PER MIL-T-10727, .000200 MIN THICK OVER COPPER PER MIL-C-14550, .000050 TO .000200 THICK.
- 3. THIS RCPT. IS DESIGNED TO CONFORM TO THE LATEST ISSUE OF MIL-C-24308
- 4. STAINLESS STEEL RETENTION CLIPS ARE INCLUDED IN INSERTS AT POSITIONS 1 THRU 22
- 5. POSITIONS 1 THRU 22 WILL ACCEPT SIZE 20 SOCKET CONTACT M39029/63-368 OR TE PART NO 205090-1
- 6. CONTACTS NOT SUPPLIED WITH CONNECTOR



△	447731-2
△	447731-1
REMARKS	PART NUMBER

THIS DRAWING IS A CONTROLLED DOCUMENT.		DATE		REVISED		BY		APP	
REVISIONS	DESCRIPTION	DATE	REVISED	BY	APP	TYS Electronics Corporation Harrisburg, PA 17105-3608			
1	AMPLIMITE RCPT, COAX MAX, 25C3, SIZE A, SERIES 109, WITH FLOATING BUSHINGS								
2									
3									
4									
5									
6									
7									
8									
9									
10									
11									
12									
13									
14									
15									
16									
17									
18									
19									
20									
21									
22									
23									
24									
25									
26									
27									
28									
29									
30									
31									
32									
33									
34									
35									
36									
37									
38									
39									
40									
41									
42									
43									
44									
45									
46									
47									
48									
49									
50									
51									
52									
53									
54									
55									
56									
57									
58									
59									
60									
61									
62									
63									
64									
65									
66									
67									
68									
69									
70									
71									
72									
73									
74									
75									
76									
77									
78									
79									
80									
81									
82									
83									
84									
85									
86									
87									
88									
89									
90									
91									
92									
93									
94									
95									
96									
97									
98									
99									
100									