

4

3

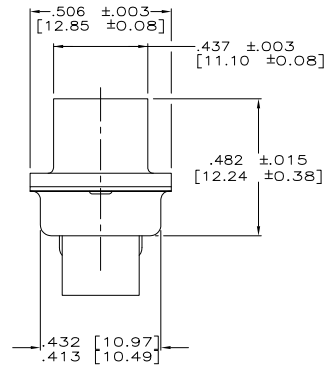
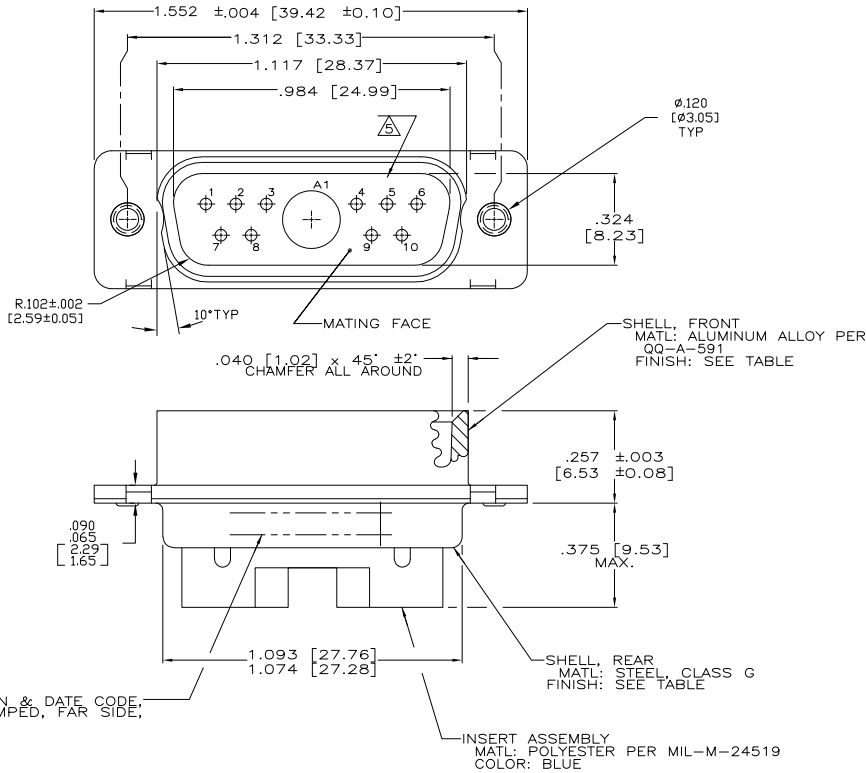
4916

2

1

THIS DRAWING IS UNPUBLISHED. RELEASED FOR PUBLICATION
 © COPYRIGHT BY TYCO ELECTRONICS CORPORATION. ALL RIGHTS RESERVED.

LOC	DIST	REVISED	W/O 1-016F & NFR 90-0531	REVISIONS	DATE	MIN	APD
DF	DO	F	LK	DESCRIPTION	4-7-06	CT	DM
		A		REV PER EDD 05-13647			



*AMP, P/N & DATE CODE, INK STAMPED, FAR SIDE.

1. THIS PLUG WILL MATE WITH ANY 11C1, SIZE 2 RECEPTACLE IN AMPLIMITE SERIES.
 2. SST RETENTION CLIPS ARE INCLUDED IN INSERTS.
 3. THIS PLUG IS DESIGNED TO CONFORM TO THE LATEST ISSUE OF MIL-C-24308.
 4. CONTACTS NOT SUPPLIED WITH ASSEMBLY. CONTACTS TO BE PURCHASED SEPARATELY.
5. RAISED NUMBERS FOR IDENTIFICATION OF CIRCUIT HOLES.
6. FINISH: CADMIUM PER QQ-P-416; YELLOW CHROMATE.
7. FINISH: ZINC PLATED PER ASTM-B-633 .000200 MIN THK WITH SUPPLEMENTARY CHROMATE (Cr3+).

7	5-447721-1
6	447721-1
FINISH	PART NO.

THIS DRAWING IS A CONTROLLED DOCUMENT.		CHK	T. SHUEY	2-18-91	AMP Tyco Electronics Corporation Harrisburg, PA 17105-3608		
DIMENSIONS: INCHES		OK	A. EMADI	2-20-91	PLUG ASSEMBLY, AMPLIMITE BLINDMATE 11C1, SIZE-2, SERIES 109, COAX-MIX		
OTHER DIMENSIONS: MILLIMETERS		APP'D	A. EMADI	2-18-91	NAME	SIZE	ONE CODE (DRAWING NO.)
0 PLC ± . -		PRODUCT SPEC		APPLICATION SPEC	RESTRICTED TO	A2	00779 C=447721
1 PLC ± . -		HEIGHT		CUSTOMER DRAWING	SCALE	1	SHEET 1 of 1 REV A
2 PLC ± .005 (0.15)		FINISH		CUSTOMER DRAWING			
3 PLC ± . -		MATERIAL		CUSTOMER DRAWING			
4. ANGLES ± . -		FINISH		CUSTOMER DRAWING			

CUSTOMER DRAWING

AMP 1471-9 REV 31MM2000

10APR2006 12:35pm us016412 H:\docmod\447721_1_c.dwg