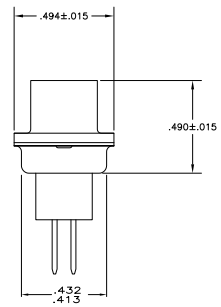
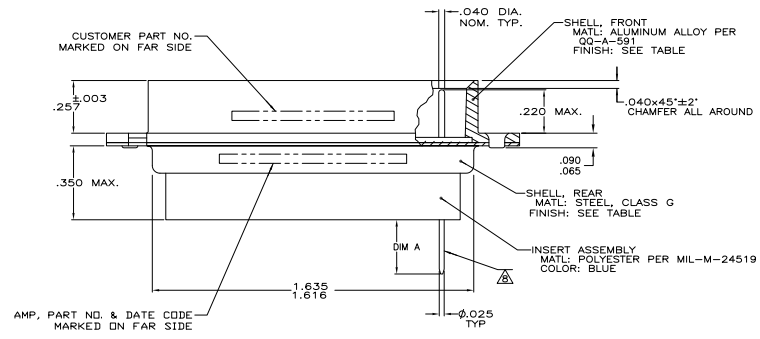
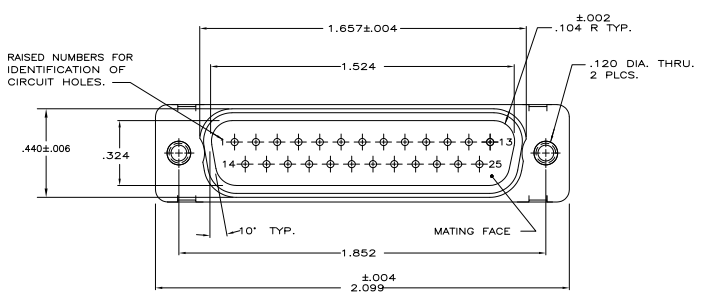


THIS DRAWING IS UNPUBLISHED. REPRODUCED FOR YOUR INFORMATION. ALL RIGHTS RESERVED.

REV	DATE	DESCRIPTION	BY	CHK	APP
R	REV PER EDO 10-022949				



1. THIS PLUG WILL MATE WITH ANY 25 POSN., SIZE 3 RECEPTACLE IN AMPLIMITE SERIES.
 2. MAXIMUM WIRE INSULATION TO BE USED WITH THIS PLUG IS .068 DIA.
 3. SST RETENTION CLIPS ARE INCLUDED IN INSERTS.
 4. THIS PLUG IS DESIGNED TO CONFORM TO THE LATEST ISSUE OF MIL-C-24308.
 5. 445007-1 & 5--1 SUPPLIED WITHOUT CONTACTS.
 6. 445007-1 WILL ACCEPT SIZE 20 DM PIN CONTACT M39029/64-369 OR ANY AMP SIZE 20 DF PIN CONTACT.
- ~~ULCSA DESIGNATION STAMPED IN THIS AREA~~
- ▲ POSTED CONTACTS LDRD IN HDUSING OF 445007-2
 - ▲ 25 EACH DF CONTACT #205089-1 INCLUDED WITH ASSEMBLY; PACKAGED SEPARATELY.
 - ▲ FINISH: CADMIUM PER QQ-P-416; YELLOW CHROMATE.
 - ▲ FINISH: ZINC PLATED PER ASTM-B-633 .000200 MIN THK WITH SUPPLEMENTARY CHROMATE (C-3+).

REV	DATE	DESCRIPTION	BY	CHK	APP
5		AS SHOWN EXCEPT ▲			5-445007-1
4		AS SHOWN EXCEPT ▲			445007-3
3		AS SHOWN			445007-2
2		AS SHOWN EXCEPT ▲			445007-1

SHELL FINISH	DIM A	DESCRIPTION	PART NO.
▲			
▲			
▲			

THIS DRAWING IS A CONTROLLED DOCUMENT.		REV. CLASSIFIER	10-17-88	Teco Electronics Corporation Harrisburg, PA 17105-3608	
DESIGNER	APPROVED	BY	DATE	PART NO.	
W. J. BALLER	J. BALLER	W. J. BALLER	10-17-88	PLUG ASSEMBLY, AMPLIMITE, 25 POSN., SIZE 3, SERIES 109, BLINDMATE	
SEE CALLOUT	SEE CALLOUT	REV.	DATE	DATE	ISSUED TO
				A1	00779 (C)=445007
					CUSTOMER DRAWING