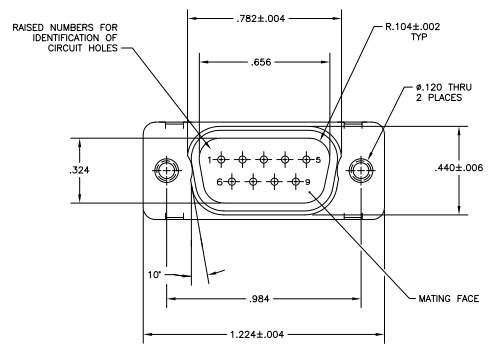
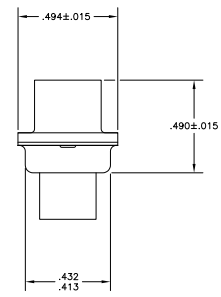
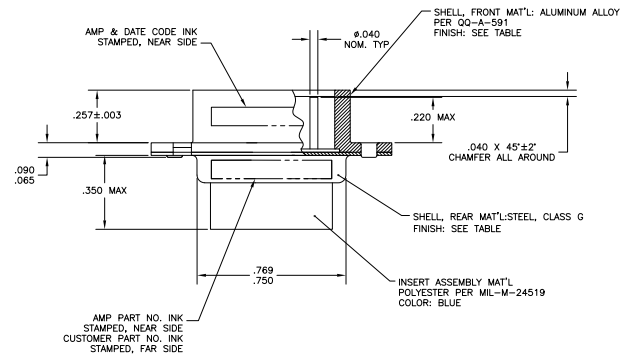


THIS DRAWING IS UNPUBLISHED  
 © 1978 BY TDS ELECTRONICS CORPORATION ALL RIGHTS RESERVED

REV. NO.		REVISIONS		DATE	BY	APP'D
DF	X5	L	REV PER EDD 10-08229	17FEB11	PY	RL



1. THIS PLUG WILL MATE WITH ANY 9 POSN, SIZE 1 RECEPTACLE IN AMPLUMITE SERIES.
2. MAXIMUM WIRE INSULATION TO BE USED WITH THIS PLUG IS .068 DIA.
3. SST RETENTION CLIPS ARE INCLUDED IN INSERTS.
4. THIS PLUG IS DESIGNED TO CONFORM TO THE LATEST ISSUE OF MIL-C-24308.
5. CONNECTOR SUPPLIED WITHOUT CONTACTS, SHOWN FOR ILLUSTRATION ONLY.
6. THIS PLUG WILL ACCEPT SIZE 20 DM PIN CONTACT M39029/64-369 OR ANY AMP SIZE 20 OF PIN CONTACT.  
 △ FINISH: CADMIUM PER QQ-P-416; YELLOW CHROMATE.  
 △ FINISH: ZINC PLATED PER ASTM-B-633 .000200 MIN THK WITH SUPPLEMENTARY CHROMATE (C-3+).



△	S-445005-1
△	445005-1
FINISH	PART NO.

THIS DRAWING IS A CONTROLLED DOCUMENT.		DATE	1-28-88	BY	J. BULLAW	DATE	1-28-88	BY	J. BULLAW
DESIGNER	J. BULLAW	DATE	1-28-88	BY	J. BULLAW	DATE	1-28-88	BY	J. BULLAW
CHECKED	J. BULLAW	DATE	1-28-88	BY	J. BULLAW	DATE	1-28-88	BY	J. BULLAW
APPROVED	J. BULLAW	DATE	1-28-88	BY	J. BULLAW	DATE	1-28-88	BY	J. BULLAW
SEE CALLOUT	SEE CALLOUT	CUSTOMER DRAWING	A1	00779	G=445005	REVISED TO		DATE	