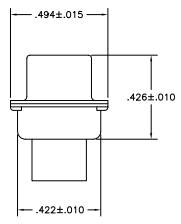
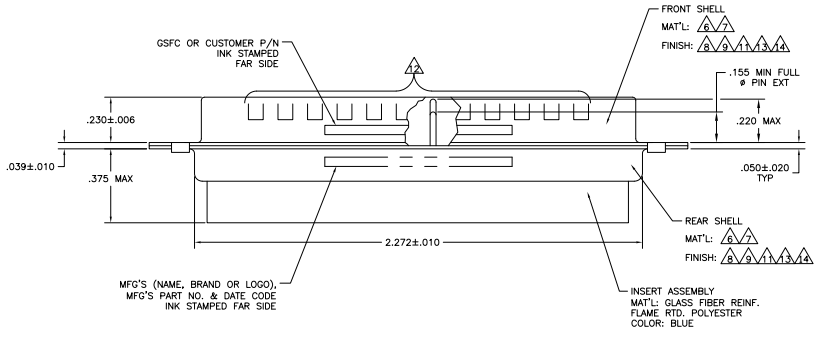
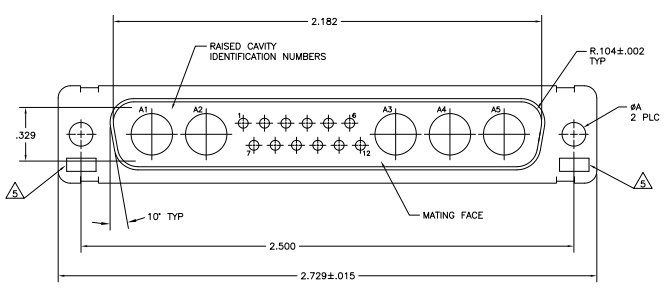


REV	DATE	DESCRIPTION	BY	CHK
1	10-12-11	REV PER ECD 11-017838	CT	RL



- THIS PLUG WILL MATE WITH ANY 17CS, SIZE 4 RECEPTACLE IN AMPLIMITE SERIES.
 - MAXIMUM WIRE INSULATION TO BE USED WITH THIS PLUG IS Ø.068.
 - THIS CONNECTOR ACCEPTS (5) POWER 8, OR COAX PIN CONTACTS IN POSITIONS A1 THRU A5, PURCHASED SEPARATELY.
 - THIS CONNECTOR ACCEPTS SIZE 20 PIN SIGNAL CONTACTS IN POSITIONS 1 THRU 12, PURCHASED SEPARATELY.
- ▲ UL/CSA DESIGNATION STAMPED IN THIS AREA, OPTIONAL.
 - ▲ STEEL PER ASTM-A-109.
 - ▲ BRASS PER MIL-C-50 AND ASTM-B-36 UNS NO. C26000.
 - ▲ CADMIUM PLATED PER QQ-P-416.
 - ▲ FINISH: GOLD PLATED PER MIL-G-45204 TYPE II, GRADE C, CLASS 1 OVER COPPER PER MIL-C-14550, CLASS IV.
 - ▲ WESTINGHOUSE PART NO. 97942-645A935H07, INK STAMPED, FAR SIDE.
 - ▲ FINISH: TIN PER ASTM-B-545, .000200 MIN THK OVER COPPER PER AMS2418 .000100-.000200 THK.
 - ▲ GROUNDING INDENTS FOR 212514-5 & 5-212514-5 ONLY.
 - ▲ FINISH: TIN PER ASTM-B-545, .000200 MIN THK OVER COPPER PER AMS2418 .000100-.000200 THK.
 - ▲ FINISH: ZINC PLATE PER ASTM-B-633 .000200-.000400 THK WITH SUPPLEMENTARY CHROMATE (C-3+).

▲▲▲	.120	-	5-212514-5
▲▲	.120	-	5-212514-1
▲▲▲	.120	-	212514-5
▲▲▲	.154	311P405-17S-B-15	212514-4
▲▲▲	.120	311P405-17S-B-12	212514-3
▲▲▲	.120	-	212514-2
▲▲	.120	-	212514-1
REMARKS	ØA	GSFC P/N	PART NO.

THIS DRAWING IS A CONTROLLED DOCUMENT. THE INFORMATION CONTAINED HEREIN IS UNCLASSIFIED EXCEPT WHERE SHOWN OTHERWISE.

TE Connectivity
 PLUG ASSEMBLY
 AMPLIMITE 17CS
 SIZE 4, SERIES 109, COAX MIX

DATE: 10/07/09
 DRAWING NO: 212514
 CUSTOMER DRAWING