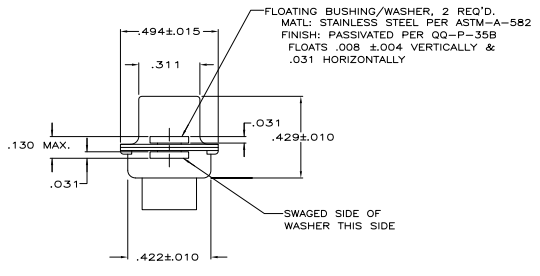
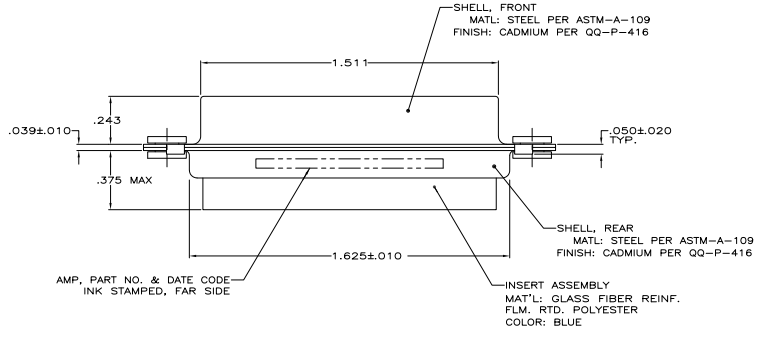
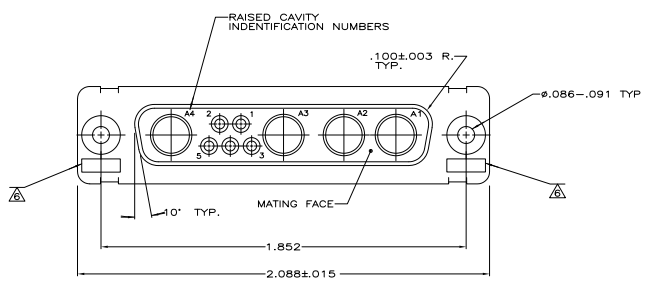


THIS DRAWING IS UNPUBLISHED
 ALL RIGHTS RESERVED

REVISES		DATE	BY	APP'D
1	REV PER EDD	11-017718	10-11-11	CT RL



1. THIS RECEPTACLE WILL MATE WITH ANY 9C4, SIZE 3 PLUG IN AMPLIMITE SERIES.
 2. MAXIMUM WIRE INSULATION TO BE USED WITH THIS RECEPTACLE IS .068 DIA.
 3. STAINLESS STEEL RETENTION CLIPS (5) ARE INCLUDED IN INSERT ASSEMBLY.
 4. CONNECTOR SUPPLIED WITH (6) SIGNAL SOCKET CONTACTS; PACKAGED IN A SEPERATE BAG.
 5. USE 4 SIZE 8 POWER OR COAX SOCKET CONTACTS. CONSULT PRODUCT ENGINEERING FOR MORE DETAILS.
- UL/CSA DESIGNATION STAMPED IN THIS AREA, OPTIONAL.
- MATING FACE SIZE 8 PORTS CHAMFERED TO ACCOMMODATE BLINDMATE APPLICATION. BLIND MATE PLUG 445701-1 WILL MATE WITH THIS CONNECTOR.

REMARKS	PART NO.
	212051-2
	212051-1

THIS DRAWING IS A CONTROLLED DOCUMENT.		REV. C. THOMAS	7-3-98	TE Connectivity	
DESIGNED	BY	REV. C. THOMAS	7-3-98	RCPT ASSY-AMPLIMITE-9C4	
DRAWN	BY	REV. C. THOMAS	7-3-98	SIZE 3, SERIES 109, COAX. MAX	
CHECKED	BY	REV. C. THOMAS	7-3-98	WITH FLOAT BUSHINGS	
APPROVED	BY	REV. C. THOMAS	7-3-98	SIZE	DATE
				A1	00779
				Q=212051	REV. C. THOMAS
				CUSTOMER DRAWING	DATE 4-1