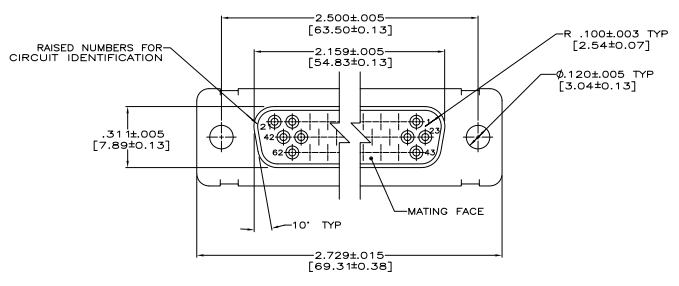
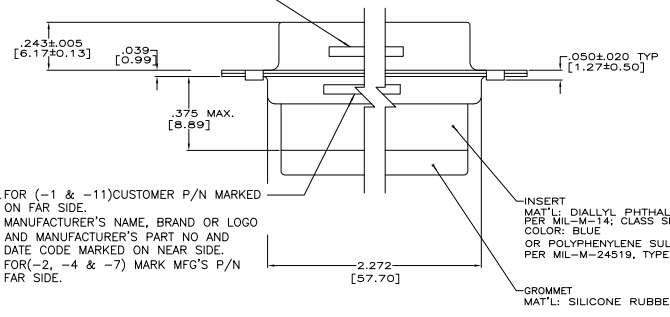


REV	DATE	DESCRIPTION	BY	CHK
1				
2				
3				
4				
5				
6				
7				
8				

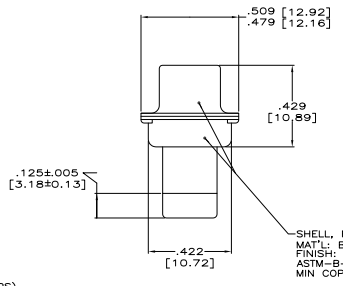
1. THIS RECEPTACLE WILL MATE WITH ANY SIZE 4, 62 POSN. PLUG IN AMPLIMITE SERIES.
 2. CONNECTOR SUPPLIED WITHOUT CONTACTS; SHOWN FOR ILLUSTRATION ONLY.
 3. BE-CU RETENTION CLIPS ARE INCLUDED IN INSERT AND INSTALLED WITH TINES POINTING TOWARDS MATING FACE.
 4. OVERALL DIMENSIONS DO NOT INCLUDE RAISED CAVITY IDENTIFICATION.
- ▲ MARKING FAR SIDE REFERS TO WIDE SIDE OF KEYSTONE. NEAR SIDE REFERS TO NARROW SIDE OF KEYSTONE
 ▲ 100% INSPECTION REQUIRED PER BOEING 1801:
 A. VISUAL
 B. DWV
 C. IR
 ▲ CUSTOMER REQUIRES SINGLE LOT DATE CODE.
 ▲ SPECIAL REQUIREMENTS:
 A. TEST TWO CONNECTORS PER LOT FOR COMPLIANCE TO GROMMET PEEL STRENGTH REQUIREMENTS.
 B. TEST ALL CIRCUIT CAVITIES FOR MISALIGNMENT OR EXCESSIVE ADHESIVE.



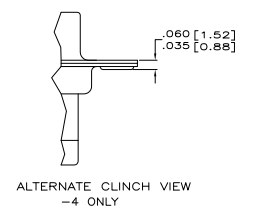
▲ FOR (-2, -4 & -7) MARK MFG'S NAME, BRAND OR LOGO AND DATE CODE FAR SIDE. CUSTOMER P/N MARKED NEAR SIDE



▲ FOR (-1 & -11) CUSTOMER P/N MARKED ON FAR SIDE. MANUFACTURER'S NAME, BRAND OR LOGO AND MANUFACTURER'S PART NO AND DATE CODE MARKED ON NEAR SIDE. FOR (-2, -4 & -7) MARK MFG'S P/N FAR SIDE.



SHELL, FRONT & REAR MAT'L: BRASS PER ASTM B-19 FINISH: GOLD PLATED PER ASTM-B-488 OVER 0.000100 MIN COPPER PER AMS 2418



REVISION	DESCRIPTION	DATE	BY	CHK
1	1B01-02BRHW	1-211670-1		
2	B010648-0008	211670-7		
3	2A065-022V-001	211670-4		
4	1B01-02B	211670-2		
5		211670-1		

REMARKS: CUSTOMER PART NO. PART NO.

THIS DRAWING IS A CONTROLLED DOCUMENT

TYSO ELECTRONICS CORPORATION
 1000 W. MARKET STREET
 HARRISBURG, PA 17102-3608
 TEL: 717-651-1000 FAX: 717-651-1001
 WWW.TYSO.COM

RCPT. ASSY, AMPLIMITE, 62 POSN., SIZE 4, SERIES 90, NON-MAGNETIC WITH GROMMET
 SEE ONE COPY DRAWING NO. A100779G=211670
 CUSTOMER DRAWING