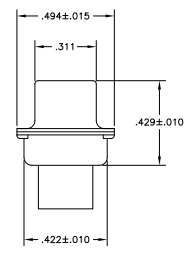
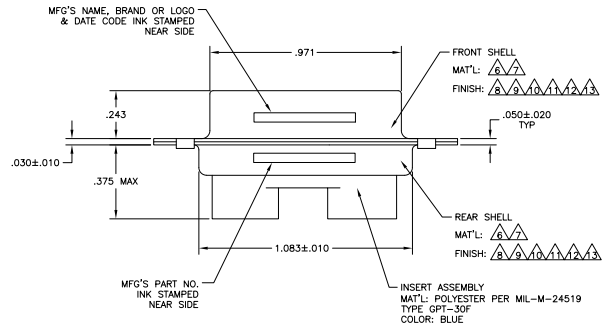
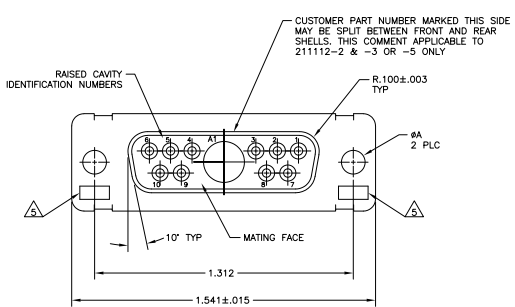


REV	DATE	DESCRIPTION	BY	CHK	APP
1					
2					
3					
4					
5					
6					
7					
8					



1. THIS RECEPTACLE WILL MATE WITH ANY 11C1, SIZE 2 PLUG IN AMPLIMITE SERIES.
 2. MAXIMUM WIRE INSULATION TO BE USED WITH THIS RECEPTACLE IS #.068.
 3. THIS CONNECTOR ACCEPTS (1) POWER 8, OR COAX SOCKET CONTACT IN POSITION A1, PURCHASED SEPARATELY.
 4. THIS CONNECTOR ACCEPTS SIZE 20 SOCKET CONTACTS IN POSITIONS 1 THRU 10, PURCHASED SEPARATELY.
- △ UL/CSA DESIGNATION STAMPED IN THIS AREA, OPTIONAL.
 - △ STEEL PER ASTM-A-109.
 - △ BRASS PER MIL-C-50 AND ASTM-B-36 UNS NO. C26000.
 - △ CADMIUM PLATED PER QQ-P-416.
 - △ GOLD PLATED PER MIL-G-45204 TYPE II, GRADE C, CLASS 1 OVER COPPER PER MIL-C-14550, CLASS IV.
 - △ FINISH: TIN PER ASTM-B-545 .000200 MIN THK OVER COPPER PER AMS2418 .000100-.000200 THK.
 - △ FINISH: BRIGHT TIN PER ASTM-B-545 .000400-.000500 THK OVER COPPER PER AMS2418 .000050 MIN THK.
 - △ FINISH: TIN PER ASTM-B-545 .000200 MIN THK OVER COPPER PER AMS2418 .000100-.000200 THK.
 - △ FINISH: ZINC PLATE PER ASTM-B-633 .000200-.000400 THK WITH SUPPLEMENTARY CHROMATE (Cr3+).

REV	DATE	DESCRIPTION	BY	CHK	APP
1					
2					
3					
4					
5					
6					
7					
8					

THIS DRAWING IS A CONTROLLED DOCUMENT. TDS ELECTRONICS CORPORATION, Harrisburg, PA 17105-3608

RECEPTACLE ASSEMBLY AMPLIMITE 11C1 SERIES 100, SIZE 2, COAX MIX

DATE: 00779, DRAWING NO: 211112, SHEET: 4, OF: 1, REV: R