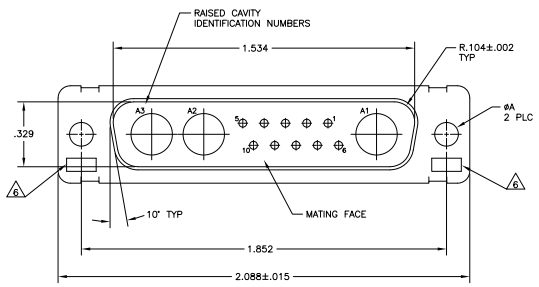
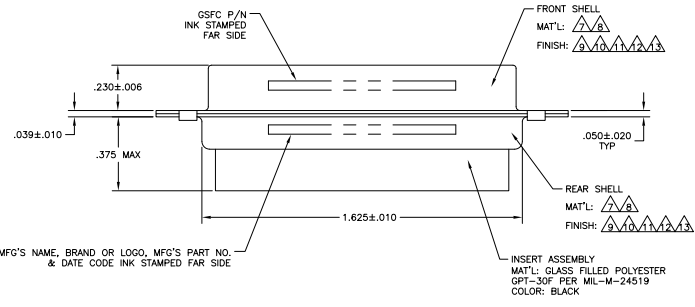


THIS DRAWING IS UNPUBLISHED. RECEIVED FOR INFORMATION - ALL RIGHTS RESERVED.
 COMPANY NO. TYS ELECTRONICS CORPORATION

REV	DATE	DESCRIPTION	BY	CHK	APP
1					
2					
3					
4					
5					
6					
7					
8					



- THIS PLUG WILL MATE WITH ANY 13C3, SIZE 3 RECEPTACLE IN AMPLIMITE SERIES.
 - MAXIMUM WIRE INSULATION TO BE USED WITH THIS PLUG IS #068.
 - THIS CONNECTOR ACCEPTS (3) POWER 8, OR COAX PIN CONTACTS IN POSITIONS A1 THRU A3, PURCHASED SEPARATELY.
 - THIS CONNECTOR ACCEPTS SIZE 20 PIN SIGNAL CONTACTS IN POSITIONS 1 THRU 10, PURCHASED SEPARATELY.
- △ GROUNDING INDENTS FOR 208810-2 & 5-208810-2 ONLY (NOT SHOWN ON DRAWING).
 △ UL/CSA DESIGNATION STAMPED IN THIS AREA, OPTIONAL.
 △ STEEL PER ASTM-A-109.
 △ BRASS PER MIL-C-50 AND ASTM-B-36 UNS NO. C26000.
 △ FINISH: TIN PER ASTM-B-545 .000200 MIN THK OVER COPPER PER AMS2418 .000100-.000200 THK.
 △ CADMIUM PLATED PER QQ-P-416.
 △ FINISH: GOLD PLATED PER MIL-C-45204 TYPE II, GRADE C, CLASS 1 OVER COPPER PER MIL-C-14550, CLASS IV.
 △ FINISH: TIN PER ASTM-B-545 .000200 MIN THK OVER COPPER PER AMS2418 .000100-.000200 THK.
 △ FINISH: ZINC PLATE PER ASTM-B-633, .000200-.000400 THK WITH SUPPLEMENTARY CHROMATE (Cr3+)



REMARKS	#A	GSFC P/N	MFG'S PART NO.
△△△	.120	-	5-208810-2
△△	.120	-	5-208810-1
△B△	.154	311P405-12P-B-15	208810-4
△△	.120	311P405-12P-B-12	208810-3
△△△	.120	-	208810-2
△△	.120	-	208810-1

THIS DRAWING IS A CONTROLLED DOCUMENT. TYS ELECTRONICS CORPORATION, Harrisburg, Pa 17105-3608

DRAWING NO: 100779
 SIZE: 3, SERIES: 109, COAX MIX
 CUSTOMER DRAWING: 208810