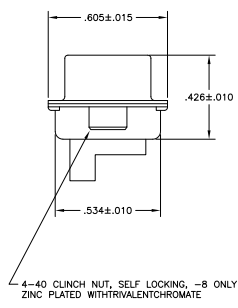
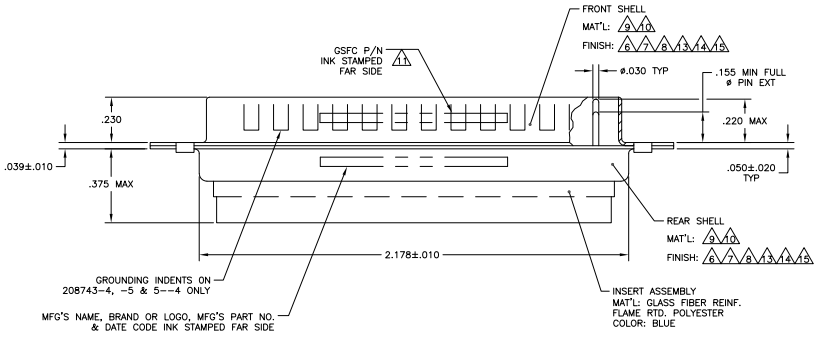


- THIS PLUG WILL MATE WITH ANY 24C7, SIZE 5 RECEPTACLE IN AMPLIMITE SERIES.
  - MAXIMUM WIRE INSULATION TO BE USED WITH THIS PLUG IS #06B.
  - THIS CONNECTOR ACCEPTS (7) POWER 8, OR COAX PIN CONTACTS IN POSITIONS A1 THRU A7, PURCHASED SEPARATELY.
  - THIS CONNECTOR ACCEPTS SIZE 20 PIN SIGNAL CONTACTS IN POSITIONS 1 THRU 17.
  - INSERTION/EXTRACTION TOOL USED FOR SIZE 20 PIN SIGNAL CONTACTS IS 91067-2.
- △ FINISH: CADMIUM PLATED PER QQ-P-416.
  - △ FINISH: TIN PER ASTM-B-545, .000200 MIN THK OVER COPPER PER AMS2418, .000100-.000200 THK.
  - △ FINISH: GOLD PLATED PER MIL-C-45204 TYPE II, GRADE C, CLASS 1 OVER COPPER PER MIL-C-14550, CLASS IV.
  - △ STEEL PER ASTM-A-109.
  - △ BRASS PER MIL-C-50 AND ASTM-B-36 UNS NO. C26000.
  - △ INK STAMP WESTINGHOUSE PART NO: 97942-645A9356H04, FAR SIDE.
  - △ UL/CSA DESIGNATION STAMPED IN THIS AREA.
  - △ FINISH: TIN PER ASTM-B-545, .000200 MIN THK OVER COPPER PER AMS2418, .000100-.000200 THK.
  - △ FINISH: BRIGHT TIN PER ASTM-B-545, .000400-.000550 THK OVER COPPER PER AMS2418, .000050 MIN THK.
  - △ FINISH: ZINC PLATE PER ASTM-B-633, .000200-.000400 THK WITH SUPPLEMENTARY CHROMATE (Cr3+)



4-40 CLINCH NUT, SELF LOCKING, -8 ONLY  
 ZINC PLATED WITH TRIVALENT CHROMATE

9/13	.120	-	5-208743-4
9/13	.120	-	5-208743-1
9/13	-	-	208743-8
9/13	.120	-	208743-7
8/10	.154	311P405-22S-B-15	208743-6
9/13	.120	-	208743-5
7/9	.120	-	208743-4
9/13	.120	-	208743-3
8/10	.120	311P405-22S-B-12	208743-2
9/13	.120	-	208743-1

THIS DRAWING IS A CONTROLLED DOCUMENT.

DESIGNED BY	DATE	REVISED BY	DATE
DR	02-20-88	DF	07-20-88
CHECKED BY	DATE	APPROVED BY	DATE
AM	07-20-88	DF	07-20-88

TYS Electronics Corporation  
 Harrisburg, PA 17105-3608  
**PLUG ASSEMBLY**  
 AMPLIMITE 24C7  
 SIZE 5, COAX. MIX.

SIZE: 00778  
 DRAWING NO: 208743  
 CUSTOMER DRAWING