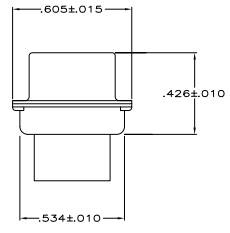
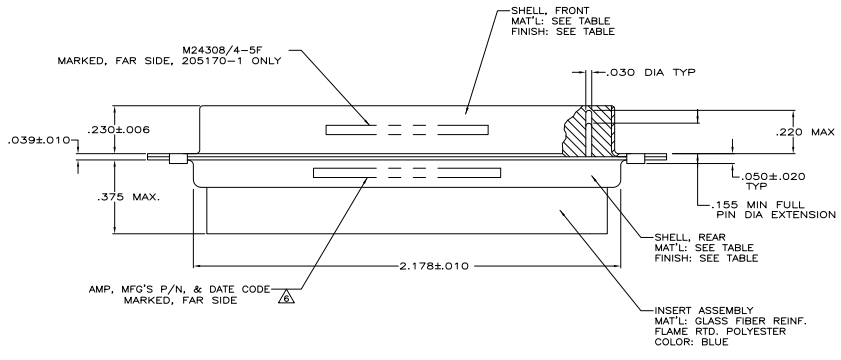
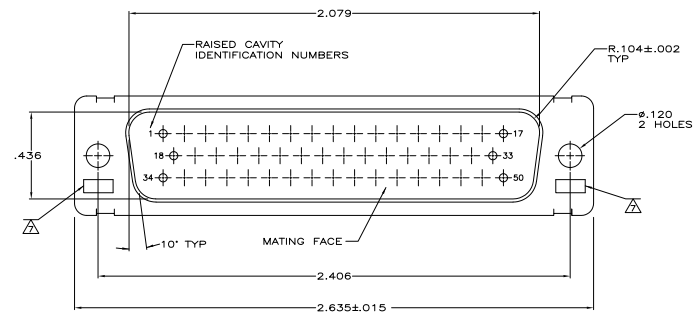


THIS DRAWING IS UNCLASSIFIED
 RELEASED FOR PUBLICIZATION
 DATE 03-20-2018 BY 205 ELECTRONICS CORPORATION ALL RIGHTS RESERVED

REV	DATE	DESCRIPTION	BY	CHK	APP
DF	DO				
P		REV PER ECR-08-02072			

- THIS PLUG IS DESIGNED TO CONFORM TO THE LATEST ISSUE OF MIL-C-24308.
 - MAXIMUM WIRE INSULATION TO BE USED WITH THIS PLUG IS $\phi.068$.
 - STAINLESS STEEL RETENTION CLIPS ARE INCLUDED IN INSERTS.
 - PACKAGE MARKED M 24308/4-263F.
 - THIS PLUG WILL ACCEPT SIZE 20 PIN CONTACT M39029/64-369 OR ANY TYCO ELECTRONICS HD-20 PIN CONTACT.
- Δ MFG'S PART NO. MARKED ON CONNECTOR REPRESENTS KIT NUMBER WITH CONTACTS.
 Δ UL/CSA DESIGNATION MARKED IN THIS AREA.
 Δ FINISH: BRIGHT TIN PER ASTM-B-545 .000400-.000550 THK OVER COPPER PER AMS2418 .000050 MIN THK.
 Δ FRONT SHELL HAS GROUNDING INDENTS, 205170-4 ONLY, (NOT SHOWN).



REVISIONS	DATE	DESCRIPTION	BY	CHK	APP
1	08-06-87	REV PER ECR-08-02072			

REVISIONS	DATE	DESCRIPTION	BY	CHK	APP
1	08-06-87	REV PER ECR-08-02072			

REVISIONS	DATE	DESCRIPTION	BY	CHK	APP
1	08-06-87	REV PER ECR-08-02072			

REVISIONS	DATE	DESCRIPTION	BY	CHK	APP
1	08-06-87	REV PER ECR-08-02072			

REVISIONS	DATE	DESCRIPTION	BY	CHK	APP
1	08-06-87	REV PER ECR-08-02072			

REVISIONS	DATE	DESCRIPTION	BY	CHK	APP
1	08-06-87	REV PER ECR-08-02072			

REVISIONS	DATE	DESCRIPTION	BY	CHK	APP
1	08-06-87	REV PER ECR-08-02072			

REVISIONS	DATE	DESCRIPTION	BY	CHK	APP
1	08-06-87	REV PER ECR-08-02072			

AMP 485 REV 2/2008