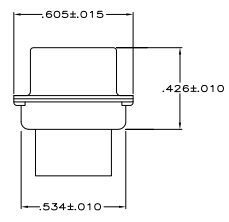
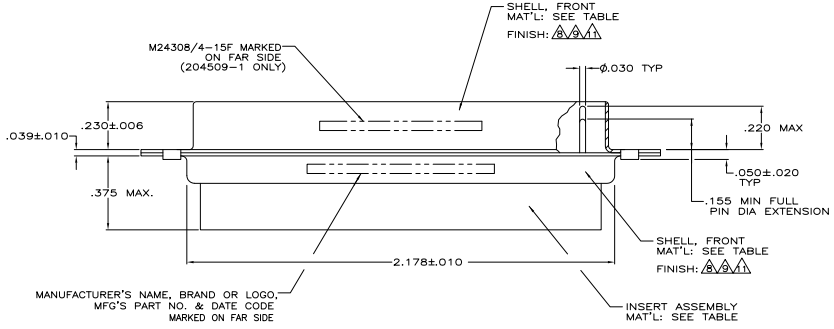
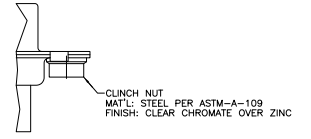
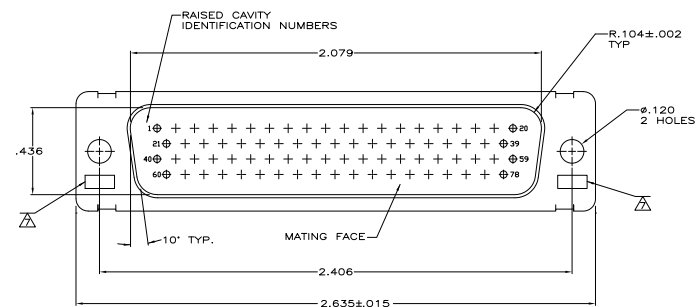


THIS DRAWING IS UNPUBLISHED. REPRODUCED FOR YOUR INFORMATION. ALL RIGHTS RESERVED.

REV	REV	DESCRIPTION	DATE	BY	APP
DF	DO				
W	REV PER	ECO-18-030008	22JAN2009	PK	RL

- 204509-1 IS DESIGNED TO CONFORM TO THE LATEST ISSUE OF MIL-C-24308.
 - MAX WIRE INSUL. TO BE USED WITH THIS PLUG IS .054 DIA.
 - METAL RETENTION CLIPS ARE INCLUDED IN INSERTS.
 - PACKAGE STAMPED M 24308/4-268F, 204509-1 ONLY.
 - THIS PLUG WILL ACCEPT SIZE 22 PIN CONTACT M 39029/58-360 OR ANY TYCO HDD-22 PIN CONTACT.
- ▲ UL/CSA DESIGNATION STAMPED IN THIS AREA.
▲ CADMIUM PER QQ-P-416.
▲ BRIGHT TIN PER ASTM-B-545 OVER COPPER PER AMS241B.
▲ GROUNDING INDENTS ON FRONT SHELL NOT SHOWN ON DRAWING.
▲ BRIGHT TIN PER ASTM-B-545 .000400-.000550 THK OVER COPPER PER AMS241B .000050 MIN THK.



SUPSD BY 204509-1
SUPSD BY 206504-4

▲	▲	204509-8	STEEL PER ASTM-A-109	GST-40F PER MIL-M-24519 COLD. BLACK	204509-8		
-	▲	204509-7	STEEL PER ASTM-A-109	GST-40F PER MIL-M-24519 COLD. BLACK	204509-7		
SEE CLINCH NUT DETAIL	▲	204509-6	STEEL PER ASTM-A-109	GST-40F PER MIL-M-24519 COLD. BLACK	204509-6		
▲	▲	204509-5	STEEL PER ASTM-A-109	GST-40F PER MIL-M-24519 COLD. BLACK	204509-5		
-	-	204509-3	STEEL PER ASTM-A-109	GST-40F PER MIL-M-24519 COLD. BLACK	204509-3		
-	-	204521-5	BRASS	GST-40F PER MIL-M-24519 COLD. BLACK	204509-2		
-	▲	204521-2	STEEL PER ASTM-A-109	GST-40F PER MIL-M-24519 COLD. BLACK	204509-1		
REMARKS		FINISH	INK STAMP	P/N	SHELL MATERIAL	INSERT MATERIAL	PART NO.

THIS DRAWING IS A CONTROLLED DOCUMENT. 13-2007-10
BY: T. THOMAS 13-2007-10
DATE: 13-2007-10
BY: JERRY, C. 13-2007-10
DATE: 13-2007-10

DESIGNER	CHK'D	DATE	BY
WES	WES	13-2007-10	WES

THIS DRAWING IS A CONTROLLED DOCUMENT. 13-2007-10
BY: T. THOMAS 13-2007-10
DATE: 13-2007-10
BY: JERRY, C. 13-2007-10
DATE: 13-2007-10

REV	REV	DESCRIPTION	DATE	BY	APP
DF	DO				
W	REV PER	ECO-18-030008	22JAN2009	PK	RL

Customer Drawing