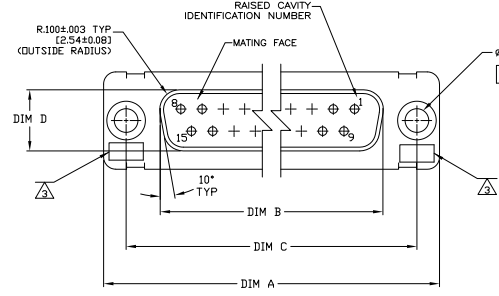
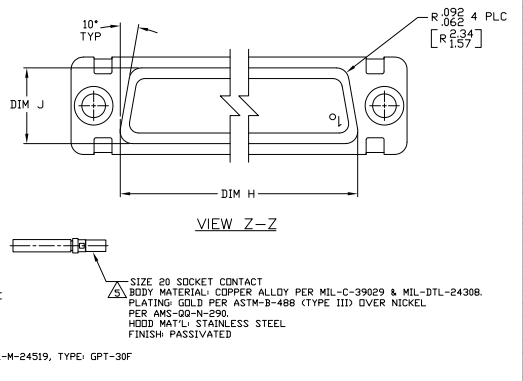
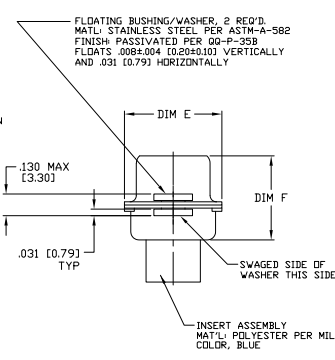
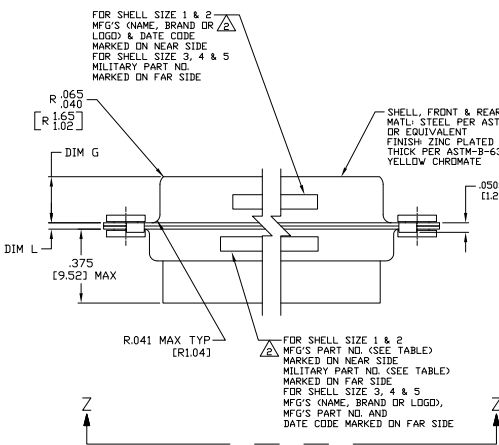


REV	DATE	DESCRIPTION	BY	CHK	APP
01	REVISED PER EDD-11-005030		11MM11	RK	HMR



- THE CONNECTOR DESCRIBED IN THIS DOCUMENT WILL MATE WITH ANY PLUG CONNECTOR WITH THE SAME INSERT ARRANGEMENT.
- MARKED WITH .047-.062 (119-157) HIGH CHARACTERS, FAR SIDE REFERS TO THE WIDE SIDE OF THE KEYSTONE. NEAR SIDE REFERS TO THE NARROW SIDE OF THE KEYSTONE. WHEN SPACE IS LIMITED MARKING CAN BE SPLIT BETWEEN FRONT AND REAR SHELL.
- UL/CSA DESIGNATION STAMPED IN THIS AREA.
- CONNECTOR ASSEMBLY WITHOUT CONTACTS, MFG'S P/N 205090-1. MUST BE ORDERED SEPARATELY.
- CONNECTOR ASSEMBLY SUPPLIED WITH CONTACTS, MFG'S P/N 205090-1. PACKAGED IN A SEPARATE CONTAINER. QTY = NO. OF POSN. (SEE TABLE).



REMARKS	MILITARY P/N ON PACKAGE	MILITARY P/N ON CONNECTOR	MARKED MFG'S PART NUMBER	L	J	H	G	F	E	D	C	B	A	INSERT ARRANGEMENT	NO OF POS	SHELL SIZE	PART NUMBER
	M24308/2-27	M24308/2-27	1-1757822-0	.049 (1.24)	.544 (13.82)	2.188 (55.59)	.248 (6.30)	.439 (11.15)	.620 (15.75)	.498 (12.67)	2.411 (61.24)	2.069 (52.50)	2.650 (67.31)	MS18277-1	50	5	1-1757822-0
	M24308/2-26	M24308/2-26	1757822-9	.049 (1.24)	.432 (10.97)	2.285 (57.96)	.248 (6.30)	.439 (11.15)	.509 (12.93)	.316 (8.03)	2.205 (56.03)	2.164 (54.97)	2.744 (69.70)	MS18276-1	37	4	1757822-9
	M24308/2-25	M24308/2-25	1757822-8	.049 (1.24)	.432 (10.97)	1.635 (41.53)	.248 (6.30)	.439 (11.15)	.509 (12.93)	.316 (8.03)	1.877 (47.17)	1.516 (38.51)	2.103 (53.42)	MS18275-1	25	3	1757822-8
	M24308/2-24	M24308/2-24	1757822-7	.049 (1.24)	.432 (10.97)	1.913 (47.76)	.248 (6.30)	.439 (11.15)	.509 (12.93)	.316 (8.03)	1.917 (48.79)	1.516 (38.51)	2.103 (53.42)	MS18274-1	15	2	1757822-7
	M24308/2-23	M24308/2-23	1757822-6	.040 (1.02)	.432 (10.97)	1.913 (47.76)	.248 (6.30)	.439 (11.15)	.509 (12.93)	.316 (8.03)	1.917 (48.79)	1.516 (38.51)	2.103 (53.42)	MS18273-1	9	1	1757822-6
	M24308/2-296	M24308/2-27	1-1757822-0	.049 (1.24)	.544 (13.82)	2.188 (55.59)	.248 (6.30)	.439 (11.15)	.620 (15.75)	.498 (12.67)	2.411 (61.24)	2.069 (52.50)	2.650 (67.31)	MS18277-1	50	5	1757822-5
	M24308/2-295	M24308/2-26	1757822-9	.049 (1.24)	.432 (10.97)	2.285 (57.96)	.248 (6.30)	.439 (11.15)	.509 (12.93)	.316 (8.03)	2.205 (56.03)	2.164 (54.97)	2.744 (69.70)	MS18276-1	37	4	1757822-4
	M24308/2-294	M24308/2-25	1757822-8	.049 (1.24)	.432 (10.97)	1.635 (41.53)	.248 (6.30)	.439 (11.15)	.509 (12.93)	.316 (8.03)	1.877 (47.17)	1.516 (38.51)	2.103 (53.42)	MS18275-1	25	3	1757822-3
	M24308/2-293	M24308/2-24	1757822-7	.049 (1.24)	.432 (10.97)	1.913 (47.76)	.248 (6.30)	.439 (11.15)	.509 (12.93)	.316 (8.03)	1.917 (48.79)	1.516 (38.51)	2.103 (53.42)	MS18274-1	15	2	1757822-2
	M24308/2-292	M24308/2-23	1757822-6	.040 (1.02)	.432 (10.97)	1.913 (47.76)	.248 (6.30)	.439 (11.15)	.509 (12.93)	.316 (8.03)	1.917 (48.79)	1.516 (38.51)	2.103 (53.42)	MS18273-1	9	1	1757822-1

THIS DRAWING IS A CONTROLLED DOCUMENT. IT IS THE PROPERTY OF MILLET. IT IS TO BE KEPT IN THE ORIGINAL FILE. IT IS TO BE RETURNED TO THE ORIGINAL FILE. IT IS TO BE DESTROYED WHEN NOT NEEDED.

TE Connectivity  
 AMPUMITE RECEPTACLE ASSY, SIZE 1 THRU 5  
 SERIES 109 WITH FLOAT BUSHINGS  
 AND ZINC PLATED SHELLS

SIZE: 00779 (G=1757822)  
 CUSTOMER DRAWING: 1757822