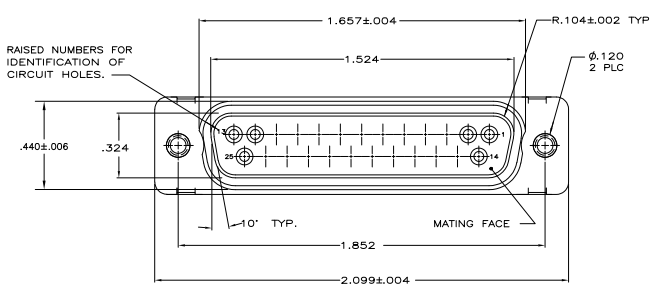
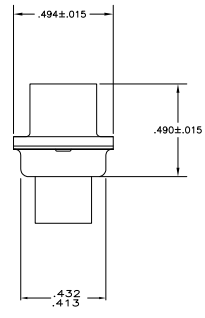
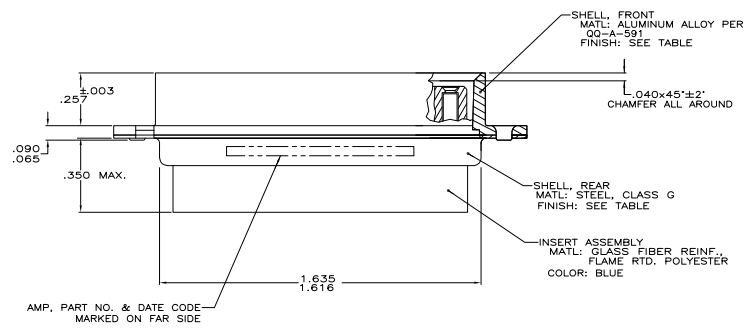


THIS DRAWING IS UNPUBLISHED  
 © 2008 BY TYS ELECTRONICS CORPORATION. ALL RIGHTS RESERVED.

REV	DATE	DESCRIPTION	BY	CHK	APP
DF	DO				
B		REV PER ECO 05-014885		11/20/06	CT DM



1. MAXIMUM WIRE INSULATION TO BE USED WITH THIS PLUG IS .068 DIA.
  2. SST RETENTION CLIPS ARE INCLUDED IN INSERTS.
  3. THIS PLUG WILL ACCEPT SIZE 20 SOCKET CONTACT M39029/63-368 OR AMP PART NUMBER 200090-1.
- ⚠ FINISH CADMIUM PER QQ-P-416; YELLOW CHROMATE.  
 ⚠ FINISH ZINC PLATED PER ASTM-B-633 .000200 MIN THK WITH SUPPLEMENTARY CHROMATE (Cr3+).



⚠	5-1484950-1
⚠	1484950-1
	FINISH PART NO.

THIS DRAWING IS A CONTROLLED DOCUMENT.		DESIGNED BY: J. THOMAS	DATE: 8-28-02	TYS Electronics Corporation Harrisburg, PA 17105-3608
DRAWN BY: J. MILLER		DATE: 8-28-02	REVISED BY: J. MILLER	
DESCRIPTION: PLUG ASSEMBLY, AMP/AMPLITE	QUANTITY: 25	FOOTPRINT: 109	BLINDMATE, REVERSE GONGER	
SIZE: A1	DATE: 00779	DRAWING NO: G=1484950	REWORKED TO:	
CUSTOMER DRAWING				