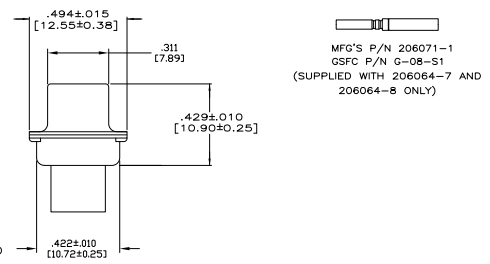
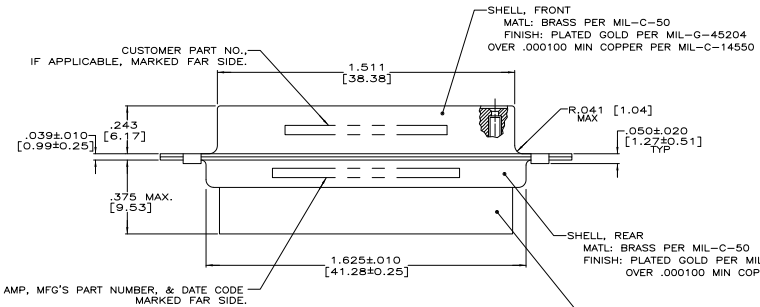
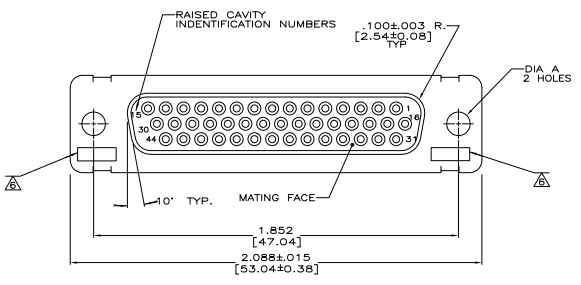


- THIS RECEPTACLE WILL MATE WITH ANY PLUG CONNECTOR WITH THE SAME INSERT ARRANGEMENT AS DEFINED BY MS18275-2.
 - MAXIMUM WIRE INSULATION USED WITH THIS RCPT. IS .054 (1.37) DIA.
 - Be-Cu RETENTION CLIPS ARE INCLUDED IN INSERTS.
- INSPECTION REQUIREMENTS PER R4383.
- CONNECTOR SUPPLIED WITH 49 CONTACTS, MFG'S PART NUMBER 206071-1. INSPECTION REQUIREMENTS PER R4383 WITHOUT TESTS FOR HIGH ALTITUDE DIELECTRIC WITHSTANDING VOLTAGE AS CALLED FOR IN TABLE II SCREENING AND TESTING.
- UL/CSA DESIGNATION MARKED IN THIS AREA, OPTIONAL.
- SPECIAL TESTING PER GE DOCUMENT 20025720. CONNECTOR SUPPLIED WITH 54 CONTACTS, MFG'S P/N 206071-1.
- RESTRICTED TO CAE ELECTRONICS ONLY.
- THESE CONNECTORS ARE QUALIFIED TO GODDARD SPACE FLIGHT CENTER SPECIFICATION S-311-P-4.



△	.120 [3.05]	570566-3	1-206064-0	1-206064-0
△	.120 [3.05]	311P407-3S-B-12	206064-4	206064-9
△	.120 [3.05]	20025720P1044S	206064-8	206064-8
△	.120 [3.05]	R4383P44S	206064-7	206064-7
△	.120 [3.05]	---	206064-6	206064-6
△	.120 [3.05]	R4383P44S-2	206064-5	206064-5
△	.120 [3.05]	311P407-3S-B-12	206064-4	206064-4
△	.154 [3.91]	---	206064-3	206064-3
△	.154 [3.91]	311P407-3S-B-15	206064-2	206064-2
△	.120 [3.05]	R9259P44S	206064-1	206064-1

REMARKS	DIA A	CUSTOMER P/N ON CONNECTOR	AMP P/N ON CONNECTOR	MFG'S P/N

THIS DRAWING IS A CONTROLLED DOCUMENT. TYSO ELECTRONICS CORPORATION, Harrisburg, PA 17105-2608.

DESIGNED BY: J. MILLER, CHECKED BY: J. MILLER, DRAWN BY: J. MILLER, DATE: 08/01/01.

AMPLIMITE NONMAGNETIC RCPT ASSY, SERIES 90, SHELL SIZE 3, 44 PDSN.

SEE CALLOUTS

CUSTOMER DRAWING: 100779G-206064