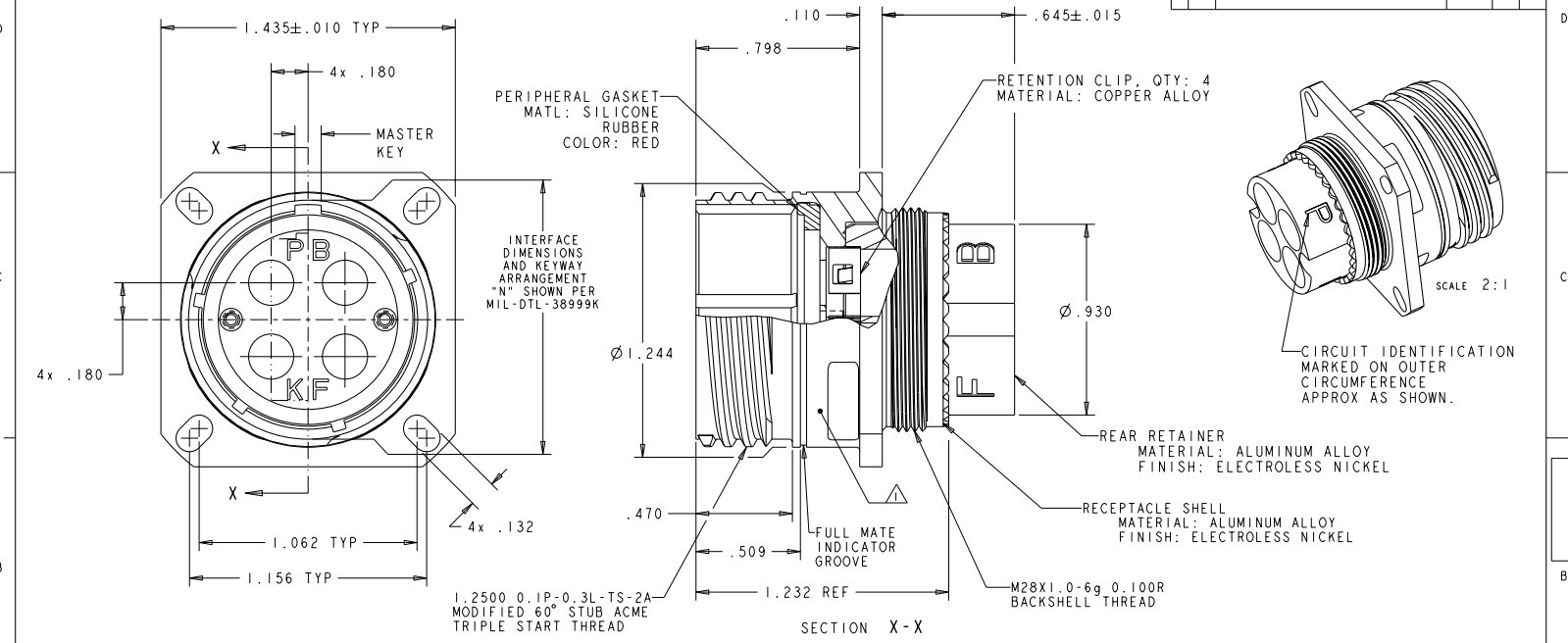


REV	DATE	BY	APP'D
C	2-5-99	CT	DM



⚠ PART IS MARKED WITH TYCO ELECTRONICS PART NO. (SEE TABLE), TYCO ELECTRONICS LOGO OR TE, TYCO ELECTRONICS CAGE CODE, AND DATE CODE.

2. OPERATING TEMPERATURE RANGE: -65°C TO +125°C (-85°F TO +257°F).

B	1950031-3
A	1950031-2
N	1950031-1
SHELL KEYING ARRANGEMENT	PART NUMBER

DIMENSIONS:		TOLERANCES UNLESS OTHERWISE SPECIFIED:		TYCO ELECTRONICS CORPORATION	
INCHES		OPERATED SPECIFICS:		DATE	05JUN2006
Ø	PLC	±	0	REV	05JUN2006
	PLC	±	.1	APP'D	05JUN2006
	PLC	±	.01	DATE	05JUN2006
	PLC	±	.005	PRODUCT SPEC	
	PLC	±	.0020	APPLICATION SPEC	
ANGLES		±		WEIGHT	
FINISH				CUSTOMER DRAWING	

4

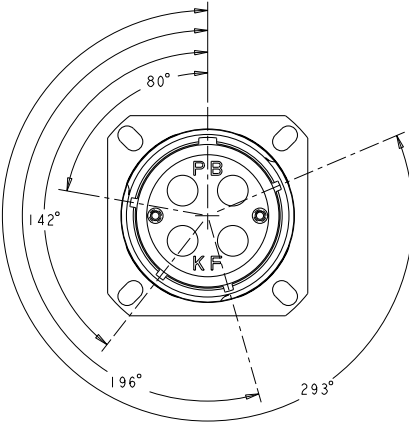
3

2

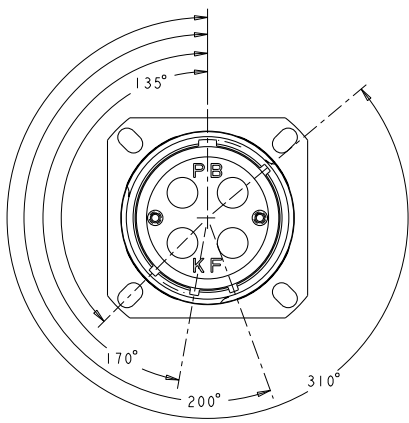
1

THIS DRAWING IS UNPUBLISHED. RELEASED FOR PUBLICATION  
BY TYCO ELECTRONICS CORPORATION. ALL RIGHTS RESERVED.

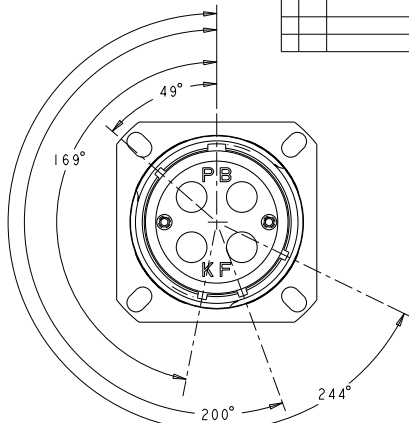
LOC		DIST		REVISIONS			
DF	A5	P	LYR	DESCRIPTION	DATE	BY	APPR
-	-	-	-	SEE SHEET 1	-	-	-



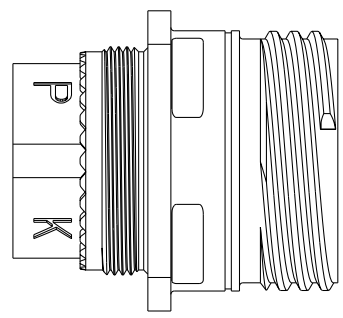
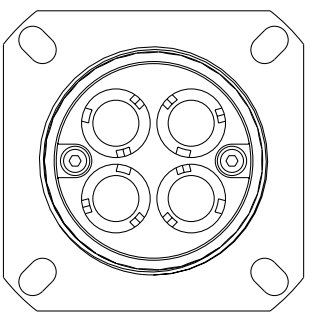
1811598-1  
"N" POLARIZATION



1811598-2  
"A" KEY POLARIZATION



1811598-3  
"B" KEY POLARIZATION



DIMENSIONS: INCHES		TOLERANCES UNLESS OTHERWISE SPECIFIED:		DATE 05JUN2006	BY CJV	Tyco Electronics Harrisburg, PA 17105-3608																																																																																																																			
<table border="0"> <tr><td>Ø</td><td>PLC</td><td>±.010</td></tr> <tr><td>Ø</td><td>PLC</td><td>±.015</td></tr> <tr><td>Ø</td><td>PLC</td><td>±.020</td></tr> <tr><td>Ø</td><td>PLC</td><td>±.025</td></tr> <tr><td>Ø</td><td>PLC</td><td>±.030</td></tr> <tr><td>Ø</td><td>PLC</td><td>±.035</td></tr> <tr><td>Ø</td><td>PLC</td><td>±.040</td></tr> <tr><td>Ø</td><td>PLC</td><td>±.045</td></tr> <tr><td>Ø</td><td>PLC</td><td>±.050</td></tr> <tr><td>Ø</td><td>PLC</td><td>±.055</td></tr> <tr><td>Ø</td><td>PLC</td><td>±.060</td></tr> <tr><td>Ø</td><td>PLC</td><td>±.065</td></tr> <tr><td>Ø</td><td>PLC</td><td>±.070</td></tr> <tr><td>Ø</td><td>PLC</td><td>±.075</td></tr> <tr><td>Ø</td><td>PLC</td><td>±.080</td></tr> <tr><td>Ø</td><td>PLC</td><td>±.085</td></tr> <tr><td>Ø</td><td>PLC</td><td>±.090</td></tr> <tr><td>Ø</td><td>PLC</td><td>±.095</td></tr> <tr><td>Ø</td><td>PLC</td><td>±.100</td></tr> </table>		Ø	PLC	±.010	Ø	PLC	±.015	Ø	PLC	±.020	Ø	PLC	±.025	Ø	PLC	±.030	Ø	PLC	±.035	Ø	PLC	±.040	Ø	PLC	±.045	Ø	PLC	±.050	Ø	PLC	±.055	Ø	PLC	±.060	Ø	PLC	±.065	Ø	PLC	±.070	Ø	PLC	±.075	Ø	PLC	±.080	Ø	PLC	±.085	Ø	PLC	±.090	Ø	PLC	±.095	Ø	PLC	±.100	<table border="0"> <tr><td>Ø</td><td>PLC</td><td>±.010</td></tr> <tr><td>Ø</td><td>PLC</td><td>±.015</td></tr> <tr><td>Ø</td><td>PLC</td><td>±.020</td></tr> <tr><td>Ø</td><td>PLC</td><td>±.025</td></tr> <tr><td>Ø</td><td>PLC</td><td>±.030</td></tr> <tr><td>Ø</td><td>PLC</td><td>±.035</td></tr> <tr><td>Ø</td><td>PLC</td><td>±.040</td></tr> <tr><td>Ø</td><td>PLC</td><td>±.045</td></tr> <tr><td>Ø</td><td>PLC</td><td>±.050</td></tr> <tr><td>Ø</td><td>PLC</td><td>±.055</td></tr> <tr><td>Ø</td><td>PLC</td><td>±.060</td></tr> <tr><td>Ø</td><td>PLC</td><td>±.065</td></tr> <tr><td>Ø</td><td>PLC</td><td>±.070</td></tr> <tr><td>Ø</td><td>PLC</td><td>±.075</td></tr> <tr><td>Ø</td><td>PLC</td><td>±.080</td></tr> <tr><td>Ø</td><td>PLC</td><td>±.085</td></tr> <tr><td>Ø</td><td>PLC</td><td>±.090</td></tr> <tr><td>Ø</td><td>PLC</td><td>±.095</td></tr> <tr><td>Ø</td><td>PLC</td><td>±.100</td></tr> </table>		Ø	PLC	±.010	Ø	PLC	±.015	Ø	PLC	±.020	Ø	PLC	±.025	Ø	PLC	±.030	Ø	PLC	±.035	Ø	PLC	±.040	Ø	PLC	±.045	Ø	PLC	±.050	Ø	PLC	±.055	Ø	PLC	±.060	Ø	PLC	±.065	Ø	PLC	±.070	Ø	PLC	±.075	Ø	PLC	±.080	Ø	PLC	±.085	Ø	PLC	±.090	Ø	PLC	±.095	Ø	PLC	±.100	DATE 05JUN2006	BY LCH	NAME RECEPTACLE ASSEMBLY, SIZE 19, 4C4, WALL MOUNT, M38999 STYLE	
Ø	PLC	±.010																																																																																																																							
Ø	PLC	±.015																																																																																																																							
Ø	PLC	±.020																																																																																																																							
Ø	PLC	±.025																																																																																																																							
Ø	PLC	±.030																																																																																																																							
Ø	PLC	±.035																																																																																																																							
Ø	PLC	±.040																																																																																																																							
Ø	PLC	±.045																																																																																																																							
Ø	PLC	±.050																																																																																																																							
Ø	PLC	±.055																																																																																																																							
Ø	PLC	±.060																																																																																																																							
Ø	PLC	±.065																																																																																																																							
Ø	PLC	±.070																																																																																																																							
Ø	PLC	±.075																																																																																																																							
Ø	PLC	±.080																																																																																																																							
Ø	PLC	±.085																																																																																																																							
Ø	PLC	±.090																																																																																																																							
Ø	PLC	±.095																																																																																																																							
Ø	PLC	±.100																																																																																																																							
Ø	PLC	±.010																																																																																																																							
Ø	PLC	±.015																																																																																																																							
Ø	PLC	±.020																																																																																																																							
Ø	PLC	±.025																																																																																																																							
Ø	PLC	±.030																																																																																																																							
Ø	PLC	±.035																																																																																																																							
Ø	PLC	±.040																																																																																																																							
Ø	PLC	±.045																																																																																																																							
Ø	PLC	±.050																																																																																																																							
Ø	PLC	±.055																																																																																																																							
Ø	PLC	±.060																																																																																																																							
Ø	PLC	±.065																																																																																																																							
Ø	PLC	±.070																																																																																																																							
Ø	PLC	±.075																																																																																																																							
Ø	PLC	±.080																																																																																																																							
Ø	PLC	±.085																																																																																																																							
Ø	PLC	±.090																																																																																																																							
Ø	PLC	±.095																																																																																																																							
Ø	PLC	±.100																																																																																																																							
MATERIAL		FINISH		PRODUCT SPEC	APPLICATION SPEC	SIZE A2	CAGE CODE 00779	DRAWING NO 1950031	RESTRICTED TO																																																																																																																
-		-		CUSTOMER DRAWING		SCALE 1:1	SHEET 2	OF 2	REV C																																																																																																																

AMP 1471-9 REV 31MAR2000