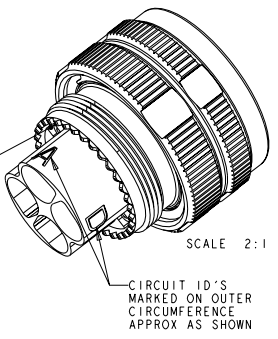
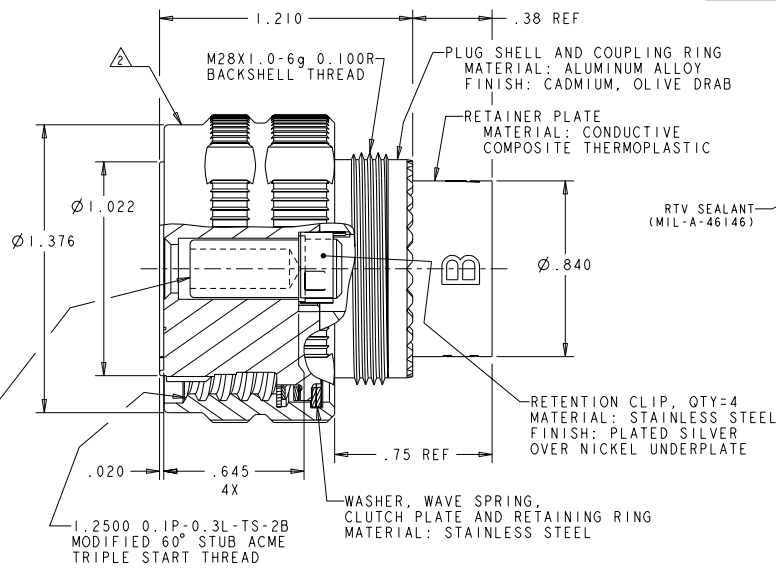
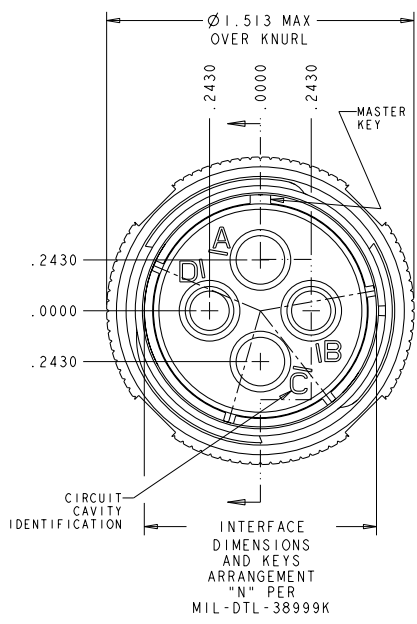


REVOLUTIONS		DATE	BY	APPROV
P	LYA			
C	REV PER ECO 08-029679	7-4-99	CT	DM



FILLER PLUG, QTY=2  
 TYCO P/N 448545-3  
 PRE-LOADED IN CAVITIES B AND D

- THIS CONNECTOR ACCEPTS TYCO ELECTRONICS QUADRAX SOCKET ASSEMBLY; PART NUMBER 1877040-2. ASSEMBLED USING 150Ω CABLE SIMILAR TO RAYCHEM CEC-RWC-18680 OR TENSOLITE 26473/02006X-4LD. CONTACT TYCO ELECTRONICS FOR DETAILS ON COMPLETE HARNESS ASSEMBLY.
- PART IS MARKED WITH TYCO ELECTRONICS PART NO. (SEE TABLE), TYCO ELECTRONICS LOGO OR TE, TYCO ELECTRONICS CAGE CODE, AND DATE CODE.
- OPERATING TEMPERATURE RANGE: -65°C TO +125°C (-85°F TO +257°F).
- THE CONNECTOR QUALIFICATION WAS COMPLETED PER TYCO ELECTRONICS 108-2199. THE QUADRAX CONTACTS ARE QUALIFIED PER TYCO ELECTRONICS 108-2131. THE REFERENCE TEST REPORTS ARE TYCO ELECTRONICS 501-660 FOR THE CONNECTOR AND 501-574 FOR THE CONTACTS WHICH ARE SAME AS ARINC 600-13, DRAFT 2 OF SUPPLEMENT 14 (AIR TRANSPORT AVIONICS EQUIPMENT INTERFACES).

PROVIDED UN-ASSEMBLED	B	1811929-3
PROVIDED UN-ASSEMBLED	A	1811929-2
PROVIDED UN-ASSEMBLED	N	1811929-1
QUADRAX CONTACT 1877040-2 QTY=2	SHELL KEYING ARRANGEMENT	PART NUMBER

DIMENSIONS: INCHES		DATE: 27FEB2006	BY: B.D. YOUNG	DATE: 27FEB2006	BY: L.O.H.	DATE: 27FEB2006	NAME: [Signature]
TOLERANCES UNLESS OTHERWISE SPECIFIED:		TYCO ELECTRONICS					
Ø	PLC	±.001	TYCO ELECTRONICS				
	PLC	±.01	TYCO ELECTRONICS				
	PLC	±.005	TYCO ELECTRONICS				
	PLC	±.0020	TYCO ELECTRONICS				
	ANGLES	±.01	TYCO ELECTRONICS				
MATERIAL: [Blank]		FINISH: [Blank]		WEIGHT: [Blank]		RESTRICTED TO: [Blank]	
CUSTOMER DRAWING				SCALE: 3:1		SHEET 1 OF 2	

4

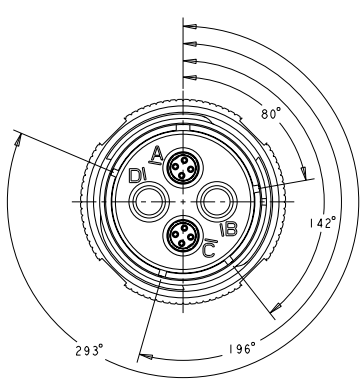
3

2

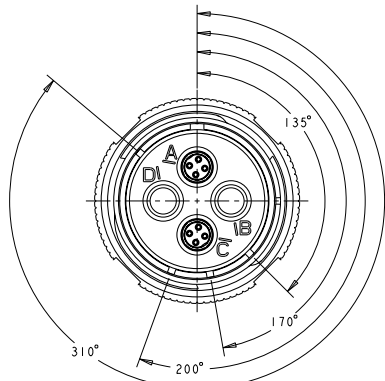
1

THIS DRAWING IS UNPUBLISHED. RELEASED FOR PUBLICATION  
COPYRIGHT © BY TYCO ELECTRONICS CORPORATION. ALL RIGHTS RESERVED.

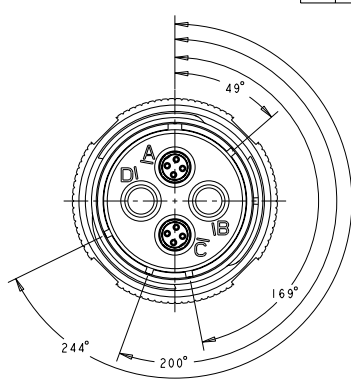
REV	DATE	BY	APPROV	DESCRIPTION
-	-	-	-	SEE SHEET 1



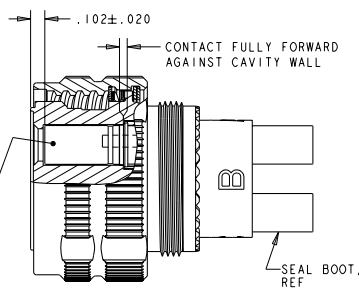
1811929-1  
"N" KEY POLARIZATION



1811929-1  
"A" KEY POLARIZATION



1811929-1  
"B" KEY POLARIZATION



QUADRAX SOCKET ASSY, 1877040-2  
SHOWN FOR REF ONLY; ON ASSY  
1811929-1, -2, & -3, THE CONTACT  
IS PROVIDED UN-ASSEMBLED

<small>TOP DIMENSIONS ARE CONTROLLING DIMENSIONS UNLESS OTHERWISE SPECIFIED. DIMENSIONS ARE UNLESS OTHERWISE SPECIFIED.</small>		DWG: B.D. YOUNG 27FEB2006 CBY: L.O.H. 27FEB2006 APD: L.O.H. 27FEB2006	Tyco Electronics Harrisburg, PA 17105-3608
DIMENSIONS: INCHES	TOLERANCES UNLESS OTHERWISE SPECIFIED: 0 PLC ±.1 1 PLC ±.1 2 PLC ±.01 3 PLC ±.005 4 PLC ±.0020 ANGLES ±.1°	PRODUCT SPEC: APPLICATION SPEC: WEIGHT: MATERIAL:	NAME: ASSY, PLUG, SIZE 19, 404, M38999-STYLE, WITH CAVITY FILLER PLUGS SIZE: A2 CASE CODE: 00779 DRAWING NO: 1811929 RESTRICTED TO:
CUSTOMER DRAWING		SCALE: 3:1 SHEET: 2 OF 2 REV: C	