

4

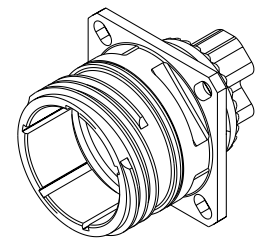
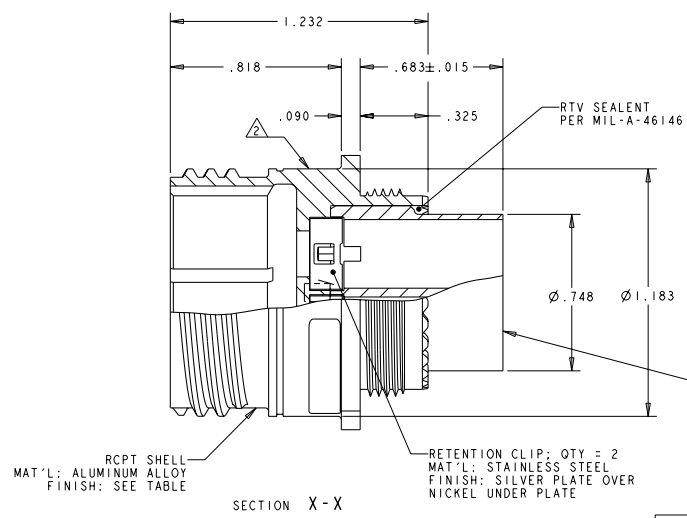
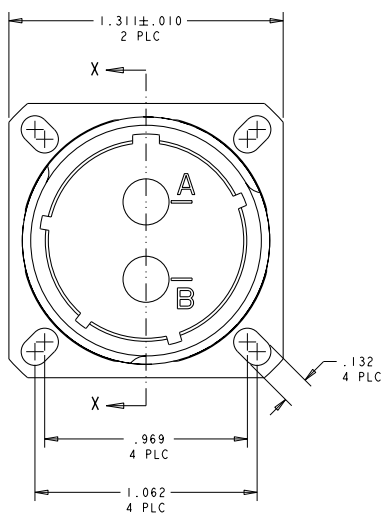
3

2

1

THIS DRAWING IS UNPUBLISHED. RELEASED FOR PUBLICATION BY TYCO ELECTRONICS CORPORATION. ALL RIGHTS RESERVED.

REV	DATE	BY	CHKD	APPROV
D	12-11-09	CT	DM	



SCALE 2:1

RETAINER PLATE MAT'L: CONDUCTIVE COMPOSITE THERMOPLASTIC

RCPT SHELL MAT'L: ALUMINUM ALLOY FINISH: SEE TABLE

RETENTION CLIP: QTY = 2 MAT'L: STAINLESS STEEL FINISH: SILVER PLATE OVER NICKEL UNDER PLATE

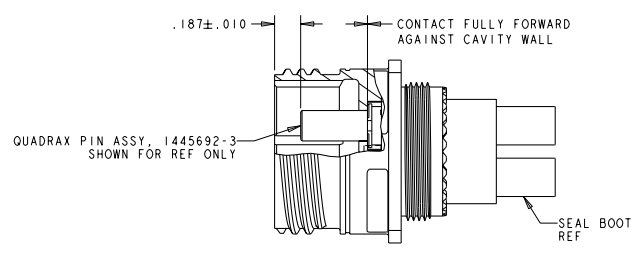
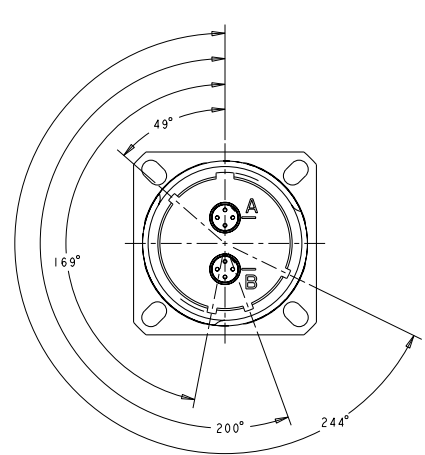
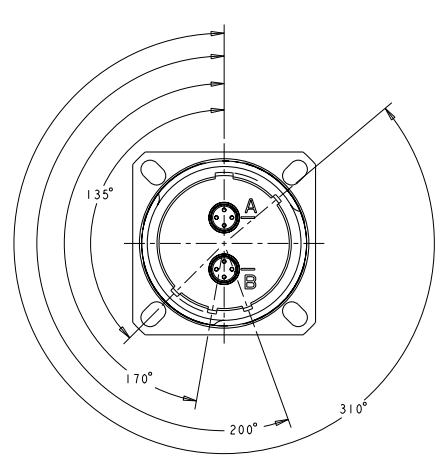
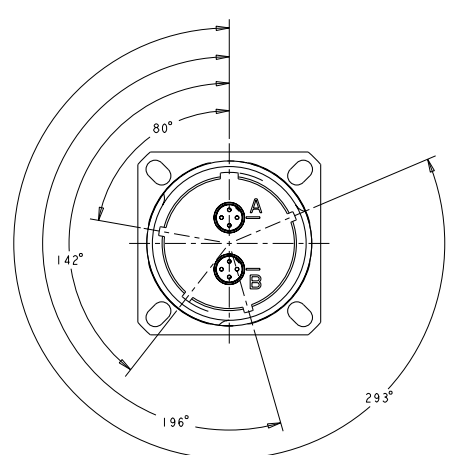
MATERIAL	FINISH	REMARKS	SHELL KEYING ARRANGEMENT	PART NUMBER
NICKEL	--		B	1877774-9
NICKEL	--		A	1877774-8
NICKEL	--		N	1877774-7
OLIVE DRAB	△		B	1877774-6
OLIVE DRAB	△		A	1877774-5
OLIVE DRAB	△		N	1877774-4
NICKEL	△		B	1877774-3
NICKEL	△		A	1877774-2
NICKEL	△		N	1877774-1

- △ THIS CONNECTOR KIT INCLUDES THE QUADRAx PIN ASSEMBLY; PART NUMBER 1445692-3, QTY = 2 PER KIT
- △ PART IS MARKED WITH THE PART NO. (SEE TABLE), Tyco Electronics OR TE, THE CAGE CODE (00779) AND DATE CODE.
- 3. OPERATING TEMPERATURE RANGE: -65°C TO +125°C (-85°F TO +257°F)
- 4. THE CONNECTOR QUALIFICATION WAS COMPLETED PER THE SPEC. 108-2199. THE QUADRAx CONTACTS ARE QUALIFIED PER THE SPEC. 108-2131. THE REFERENCE TEST REPORTS ARE THE SPEC. 501-660 FOR THE CONNECTOR AND 501-574 FOR THE CONTACTS WHICH ARE SAME AS ARINC 600-13, DRAFT 2 OF SUPPLEMENT 14 (AIR TRANSPORT AVIONICS EQUIPMENT INTERFACES).

DATE	09FEB2006	BY	R FLAIG	CHKD	OH	09FEB2006	APPROV	OH	09FEB2006	NAME		SCALE	1:1	SHEET	1	OF	2	REV	D		
DIMENSIONS: INCHES										PRODUCT SPEC		SHEET		CAGE CODE		DRAWING NO		RESTRICTED TO			
MATERIAL: SEE CALLOUTS										FINISH: SEE CALLOUTS		WEIGHT		A2		00779		1877774			
CUSTOMER DRAWING																					

AMP 1471-9 REV 31MAR2000  
Pre-ENGINEER DRAWING

LOC	DIST	REVISIONS				
DF	A5	P	LV	DATE	BY	APPR
		-	SEE SHEET 1	-	-	-



SECTION X-X  
SCALE 2:1

DIMENSIONS: INCHES		TO DRAWING ONLY DIMENSIONS:		DWN 09FEB2006 R FLAIG	Tyco Electronics Harrisburg, PA 17105-3608
0 PLC ±.01 1 PLC ±.01 2 PLC ±.01 3 PLC ±.005 4 PLC ±.0020 ANGLES ±.1°		PRODUCT SPEC APPLICATION SPEC		CBY 09FEB2006 L OH	NAME ASSY, RECEPTACLE, SIZE 17, 202, M38999 STYLE, SERIES III
MATERIAL -		FINISH -		WEIGHT -	
CUSTOMER DRAWING				SHEET 2 OF 2 CASE CODE 00779 DRAWING NO. 1877774	SCALE 3:1