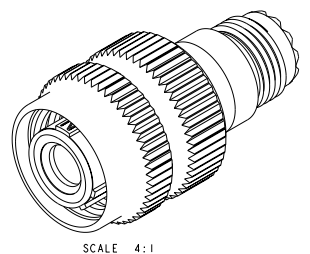
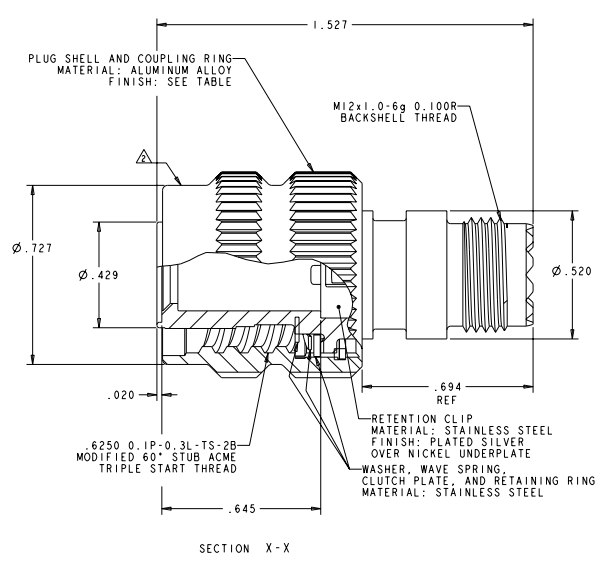
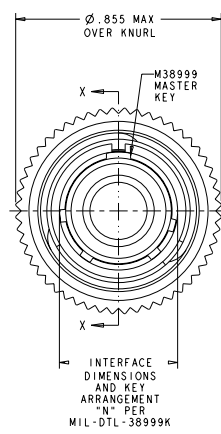


REV	DATE	DESCRIPTION	BY	CHK	APP
C	REV PER ECO 11-022725				



- THIS CONNECTOR ACCEPTS TE QUADRAX SOCKET ASSEMBLY: PART NUMBER 1445693-3.
- PART IS MARKED WITH TE PART NO. (SEE TABLE), Tyco Electronics OR TE, TE CAGE CODE, AND DATE CODE.
- OPERATING TEMPERATURE RANGE: -65°C TO +125°C (-85°F TO +257°F)
- THE CONNECTOR QUALIFICATION WAS COMPLETED PER TE SPEC. 108-2199. THE QUADRAX CONTACTS ARE QUALIFIED PER TE SPEC. 108-2131. THE REFERENCE TEST REPORTS ARE TE 501-660 FOR THE CONNECTOR AND 501-574 FOR THE CONTACTS WHICH ARE SAME AS ARINC 600-13. DRAFT 2 OF SUPPLEMENT 14 (AIR TRANSPORT AVIONICS EQUIPMENT INTERFACES).

FINISH	QUADRAX CONTACT	SHELL KEYING ARRANGEMENT	PART NUMBER
OLIVE DRAB	SOLD SEPARATELY	B	1-1877384-2
OLIVE DRAB	SOLD SEPARATELY	A	1-1877384-1
OLIVE DRAB	SOLD SEPARATELY	N	1-1877384-0
ELECTROLESS NICKEL	SOLD SEPARATELY	B	1877384-9
ELECTROLESS NICKEL	SOLD SEPARATELY	A	1877384-8
ELECTROLESS NICKEL	SOLD SEPARATELY	N	1877384-7
OLIVE DRAB	PROVIDED UN-ASSEMBLED	B	1877384-6
OLIVE DRAB	PROVIDED UN-ASSEMBLED	A	1877384-5
OLIVE DRAB	PROVIDED UN-ASSEMBLED	N	1877384-4
ELECTROLESS NICKEL	PROVIDED UN-ASSEMBLED	B	1877384-3
ELECTROLESS NICKEL	PROVIDED UN-ASSEMBLED	A	1877384-2
ELECTROLESS NICKEL	PROVIDED UN-ASSEMBLED	N	1877384-1

THIS DRAWING IS A CONTROLLED DOCUMENT. DATE: 11/02/2005. DRAWN BY: 110072005. CHECKED BY: 110072005. APPROVED BY: 110072005.

INCHES: 1:1. UNLESS OTHERWISE SPECIFIED. DIMENSIONS ARE IN INCHES AND DECIMALS THEREOF.

MATERIAL: ALUMINUM ALLOY. FINISH: SEE TABLE.

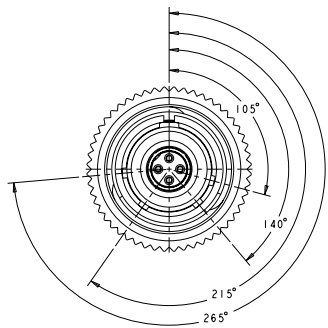
TE CONNECTIVITY
 ASSY. PLUG, SIZE 9, IOI M38999 STYLE, SERIES 101

STATE: CA. COUNTY: SAN DIEGO. CITY: SAN DIEGO. ZIP: 92161. PHONE: 619-440-0000. FAX: 619-440-0001. WWW: WWW.TYCOELECTRONICS.COM

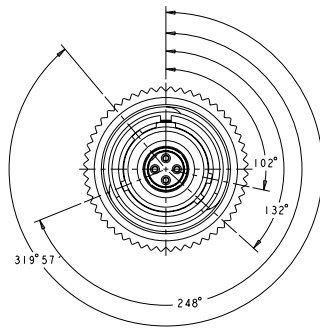
CUSTOMER DRAWING: 1445693-3. SHEET: 5.1 OF 2. DATE: 11/02/2005.

DATE REVISIONS TO IMPROVEMENTS
 REVISIONS FOR PUBLICIZATION
 ALL RIGHTS RESERVED

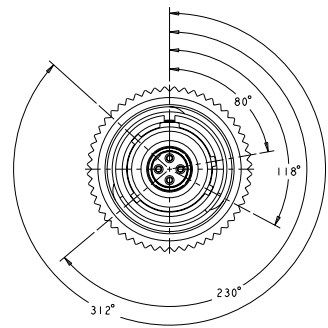
REV		REV		REVISIONS	
NO.	DATE	BY	CHK'D	DESCRIPTION	DATE
1				SEE SHEET 1	



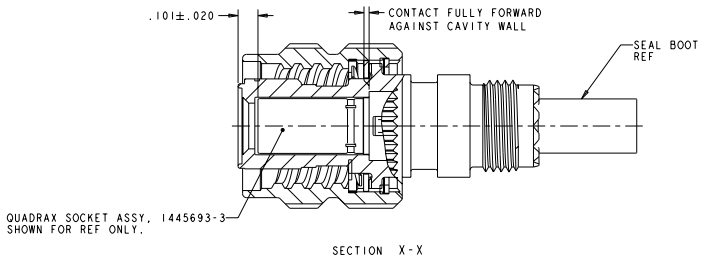
"N" KEY POLARIZATION



"A" KEY POLARIZATION



"B" KEY POLARIZATION



THIS DRAWING IS A CONTROLLED DOCUMENT.		DATE: 100CT2005	TE Connectivity ASSY. PLUG, SIZE 9, 101 M38999 STYLE, SERIES 111
DRAWN BY: 012401/0427/05		DATE: 100CT2005	
UNIT: INCHES	SCALE: 1:1	APPROVED BY:	SIZE: CASE CODE DRAWING NO.
PART: 1445693-3 REV: 001 DATE: 08/05/05	WEIGHT: .0000 VOLUME: .0000 AREA: .0000	CUSTOMER DRWG: 100779 DRAWING NO: 1877384	SHEET: 2 OF 2 SHEET NO: 111