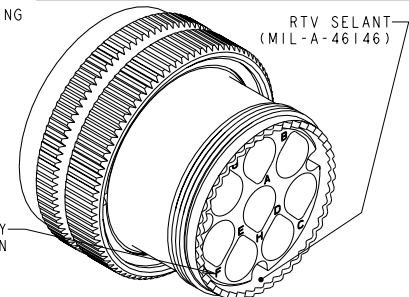
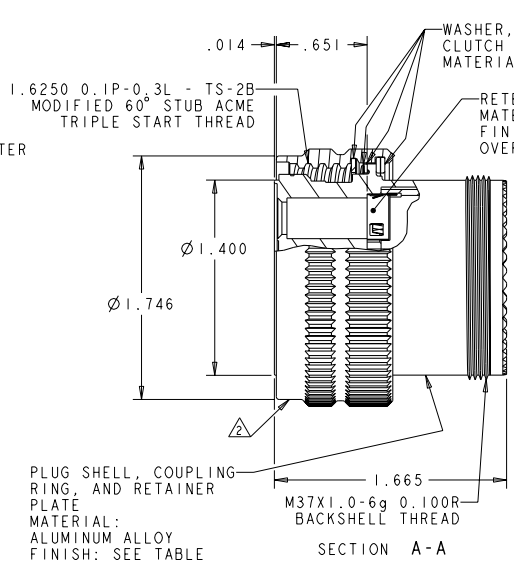
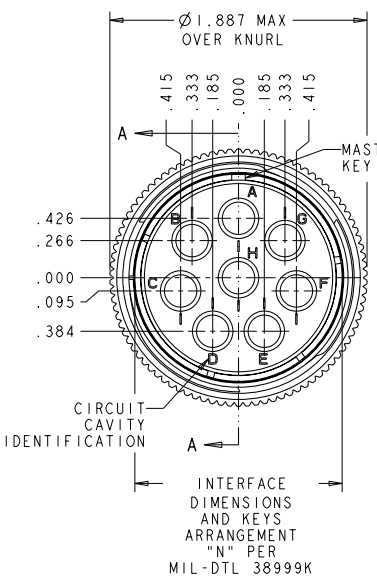


LOC	DISP	REVISIONS	DATE	BY	APPROV
DF	A5				
F	REVISED PER ECO-08-028679		23DEC2008	BH	LSO



OLIVE DRAB	SOLD SEPARATELY	B	1-1811928-5
OLIVE DRAB	SOLD SEPARATELY	A	1-1811928-4
OLIVE DRAB	SOLD SEPARATELY	N	1-1811928-3
OLIVE DRAB	PROVIDED UN-ASSEMBLED	B	1-1811928-2
OLIVE DRAB	PROVIDED UN-ASSEMBLED	A	1-1811928-1
OLIVE DRAB	PROVIDED UN-ASSEMBLED	N	1-1811928-0
NICKEL	SOLD SEPARATELY	B	1811928-9
NICKEL	SOLD SEPARATELY	A	1811928-8
NICKEL	SOLD SEPARATELY	N	1811928-7
NICKEL	PROVIDED UN-ASSEMBLED	B	1811928-3
NICKEL	PROVIDED UN-ASSEMBLED	A	1811928-2
NICKEL	PROVIDED UN-ASSEMBLED	N	1811928-1
FINISH	QUADRAX CONTACT 1445693-3 QTY=8	SHELL KEYING ARRANGEMENT	PART NUMBER

- 1, -2, -3, -10, -11 AND -12 CONNECTOR KIT INCLUDES TYCO ELECTRONICS QUADRAX PIN ASSEMBLY; PART NUMBER 1445693-3. QTY = 8 PER KIT.
- PART IS MARKED WITH TYCO ELECTRONICS PART NO. (SEE TABLE), TYCO ELECTRONICS LOGO OR TE, AND DATE CODE.
- OPERATING TEMPERATURE RANGE: -65°C TO +125°C (-85°F TO +257°F).
- THE CONNECTOR QUALIFICATION WAS COMPLETED PER TYCO ELECTRONICS 108-2199. THE QUADRAX CONTACTS ARE QUALIFIED PER TYCO ELECTRONICS 108-2131. THE REFERENCE TEST REPORTS ARE TYCO ELECTRONICS 501-660 FOR THE CONNECTOR AND 501-574 FOR THE CONTACTS WHICH ARE SAME AS ARINC 600-13, DRAFT 2 OF SUPPLEMENT 14 (AIR TRANSPORT AVIONICS EQUIPMENT INTERFACES).

DATE: 17MAY2005	BY: R FLAIG	TYCO ELECTRONICS
DATE: 17MAY2005	BY: J OH	Harrisburg, PA 17105-3608
DATE: 17MAY2005	BY: J OH	ASSY, PLUG, SIZE 25, 808, M38999 STYLE
DIMENSIONS: INCHES	TOLERANCES UNLESS OTHERWISE SPECIFIED:	STANDARD SPEC
0 PLC ±.01	1 PLC ±.01	APPLICATION SPEC
2 PLC ±.005	3 PLC ±.005	WEIGHT
4 PLC ±.0025	ANGLES	CUSTOMER DRAWING
MATERIAL	FINISH	SCALE 2:1 SHEET 1 OF 2 REV F

4

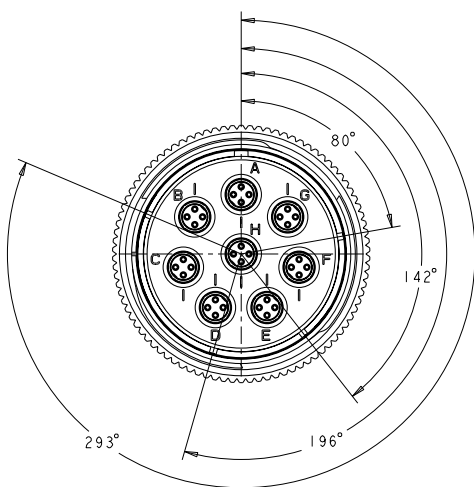
3

2

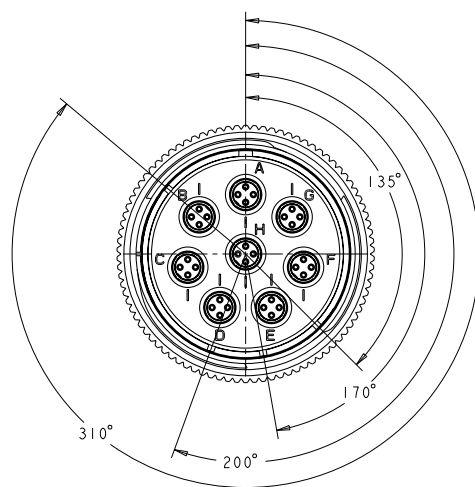
1

THIS DRAWING IS UNPUBLISHED. RELEASED FOR PUBLICATION
 BY TYCO ELECTRONICS CORPORATION. ALL RIGHTS RESERVED.

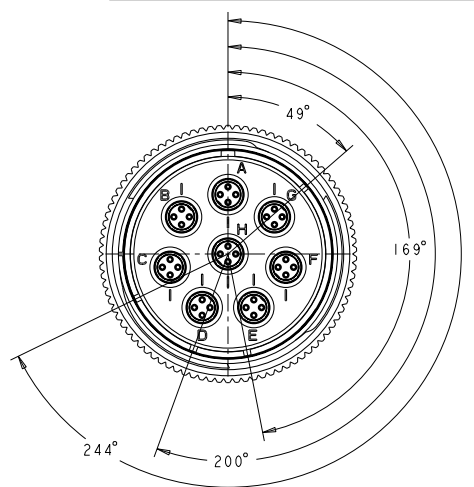
LOC	DIST	REV	DATE	BY	APPROV
DF	A5				
REVISIONS					
DESCRIPTION			DATE	BY	APPROV
- SEE SHEET 1			-	-	-



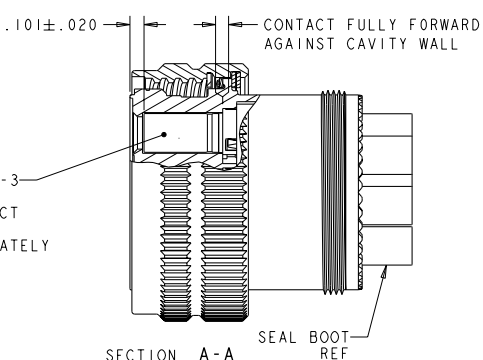
1811928-1
 "N" KEY POLARIZATION



1811928-2
 "A" KEY POLARIZATION



1811928-3
 "B" KEY POLARIZATION



QUADRAX SOCKET ASSY, 1445693-3
 SHOWN FOR REF ONLY
 -1, -2, -3, -10, -11 & -12 CONTACT
 PROVIDED UN-ASSEMBLED
 -7, -8, & -9 CONTACT SOLD SEPARATELY

DIMENSIONS: INCHES		TO DRAWING DIMENSIONS ORGANIC SPECIFICATIONS		DWG R ELAIG 17MAY2005	Tyco Electronics Harrisburg, PA 17105-3608
DIMENSIONS: INCHES		TO DRAWING DIMENSIONS ORGANIC SPECIFICATIONS		CBY L OH 17MAY2005	
DIMENSIONS: INCHES		TO DRAWING DIMENSIONS ORGANIC SPECIFICATIONS		APD L OH 17MAY2005	NAME ASSY, PLUG, SIZE 25, 808, M38999 STYLE
DIMENSIONS: INCHES		TO DRAWING DIMENSIONS ORGANIC SPECIFICATIONS		PRODUCT SPEC APPLICATION SPEC	SIZE CASE CODE DRAWING NO A200779 C-1811928
MATERIAL -		FINISH -		WEIGHT -	RESTRICTED TO -
CUSTOMER DRAWING				SCALE 2:1	SHEET 2 OF 2 REV F