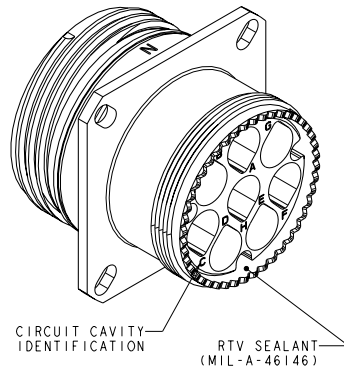
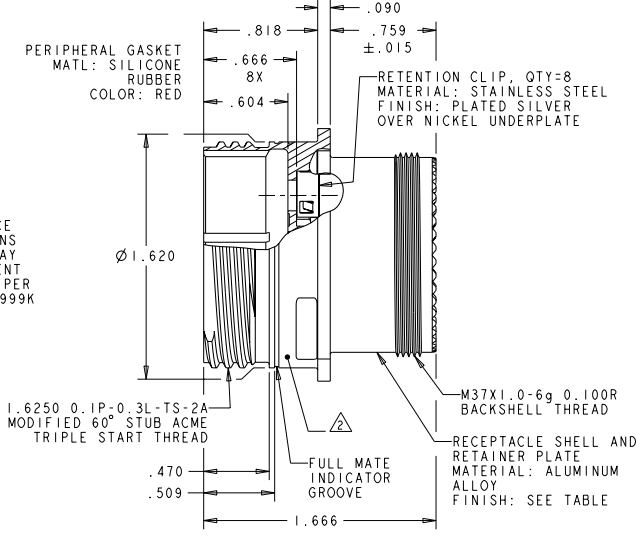
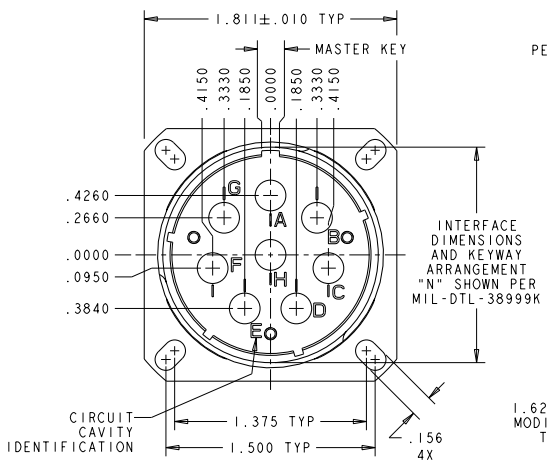


REVOLUTIONS		DATE	BY	APP'D
F	REVISED PER ECO-08-028679	23DEC2008	SK	DM



OLIVE DRAB	SOLD SEPARATELY	B	1-1811927-5
OLIVE DRAB	SOLD SEPARATELY	A	1-1811927-4
OLIVE DRAB	SOLD SEPARATELY	N	1-1811927-3
OLIVE DRAB	PROVIDED UN-ASSEMBLED	B	1-1811927-2
OLIVE DRAB	PROVIDED UN-ASSEMBLED	A	1-1811927-1
OLIVE DRAB	PROVIDED UN-ASSEMBLED	N	1-1811927-0
NICKEL	SOLD SEPARATELY	B	1811927-9
NICKEL	SOLD SEPARATELY	A	1811927-8
NICKEL	SOLD SEPARATELY	N	1811927-7
NICKEL	PROVIDED UN-ASSEMBLED	B	1811927-3
NICKEL	PROVIDED UN-ASSEMBLED	A	1811927-2
NICKEL	PROVIDED UN-ASSEMBLED	N	1811927-1
FINISH	QUADRAX CONTACT 1445692-3 QTY=8	SHELL KEYING ARRANGEMENT	PART NUMBER

- 1, -2, -3, -10, -11 AND -12 CONNECTOR KIT INCLUDES TYCO ELECTRONICS QUADRAX PIN ASSEMBLY; PART NUMBER 1445692-3. QTY = 8 PER KIT.
- PART IS MARKED WITH TYCO ELECTRONICS PART NO. (SEE TABLE), TYCO ELECTRONICS LOGO OR TE, AND DATE CODE.
- OPERATING TEMPERATURE RANGE: -65°C TO +125°C (-85°F TO +257°F).
- THE CONNECTOR QUALIFICATION WAS COMPLETED PER TYCO ELECTRONICS 108-2199. THE QUADRAX CONTACTS ARE QUALIFIED PER TYCO ELECTRONICS 108-2131. THE REFERENCE TEST REPORTS ARE TYCO ELECTRONICS 501-660 FOR THE CONNECTOR AND 501-574 FOR THE CONTACTS WHICH ARE SAME AS ARINC 600-13, DRAFT 2 OF SUPPLEMENT 14 (AIR TRANSPORT AVIONICS EQUIPMENT INTERFACES).

DIMENSIONS: IN 0 PLC ±.1 1 PLC ±.1 2 PLC ±.01 3 PLC ±.005 4 PLC ±.0020 ANGLES FINISH	TOLERANCES UNLESS OTHERWISE SPECIFIED: DIMENSIONS IN INCHES 0 PLC ±.1 1 PLC ±.1 2 PLC ±.01 3 PLC ±.005 4 PLC ±.0020 ANGLES FINISH	DATE: 05APR2005 BY: B.R.D. / J.S.H. CHK: L.S.OH / L.S.OH APP'D: L.S.OH / L.S.OH PRODUCT SPEC: APPLICATION SPEC WEIGHT: - MATERIAL: - FINISH: - CUSTOMER DRAWING	Tyco Electronics Harrisburg, PA 17105-3608 NAME: ASSY., RECEPTACLE, SIZE 25.808, M38999 STYLE SIZE: A2 CASE CODE: 00779 DRAWING NO: 1811927 SCALE: 2:1 SHEET: 1 OF 2 REV: F
--	---	---	---

4

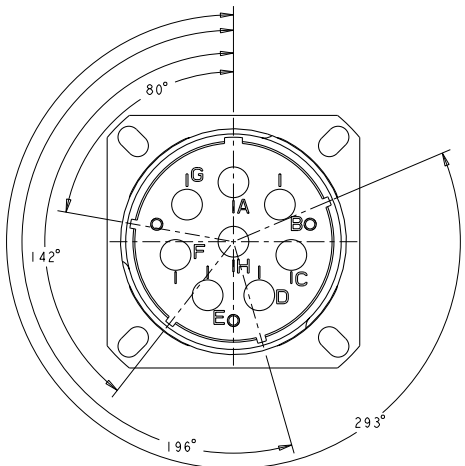
3

2

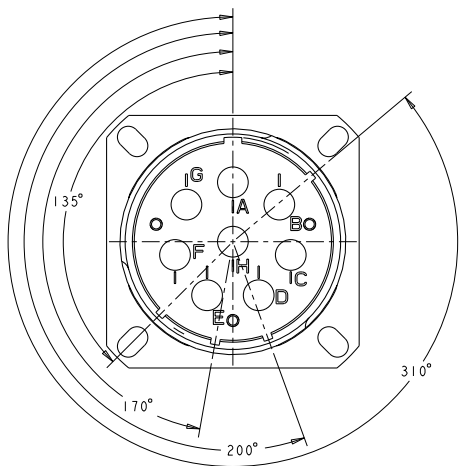
1

THIS DRAWING IS UNPUBLISHED. RELEASED FOR PUBLICATION
 BY TYCO ELECTRONICS CORPORATION. ALL RIGHTS RESERVED.
 COPYRIGHT 20

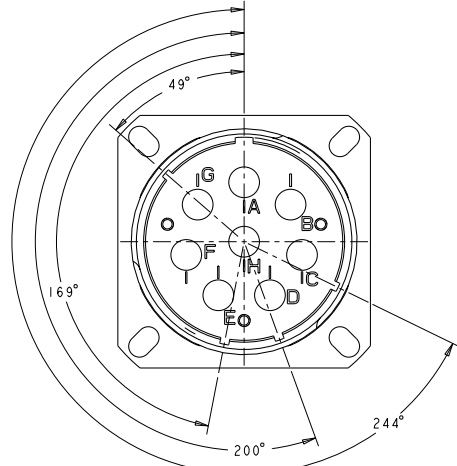
LOC	DIST	REVISIONS			
P	LYR	DESCRIPTION	DATE	BY	APPR
-	-	SEE SHEET 1	-	-	-



1811927-1
 "N" KEY POLARIZATION



1811927-2
 "A" KEY POLARIZATION



1811927-3
 "B" KEY POLARIZATION

<small>THE DIMENSIONS CONTAINED HEREON ARE THE PROPERTY OF TYCO ELECTRONICS CORPORATION AND ARE NOT TO BE REPRODUCED OR TRANSMITTED IN ANY FORM OR BY ANY MEANS, ELECTRONIC OR MECHANICAL, INCLUDING PHOTOCOPYING, RECORDING, OR BY ANY INFORMATION STORAGE AND RETRIEVAL SYSTEM.</small>		DATE: 05APR2005 BY: B.R.H.D. T.A.B. CHK: L.S.O.H. 05APR2005 APP'D: L.S.O.H. 05APR2005	Tyco Electronics Harrisburg, PA 17105-3608
DIMENSIONS: IN	TOLERANCES UNLESS OTHERWISE SPECIFIED: 0 PLC ±.1 1 PLC ±.1 2 PLC ±.01 3 PLC ±.005 4 PLC ±.0020 ANGLES ±.0	PRODUCT SPEC: APPLICATION SPEC: WEIGHT: FINISH:	NAME: ASSY., RECEPTACLE, SIZE 25.808, M38999 STYLE SIZE: A200779 CASE CODE: C=1811927 DRAWING NO: RESTRICTED TO:
MATERIAL: -		CUSTOMER DRAWING	SCALE: 2:1 SHEET 2 OF 2 REV F