

4

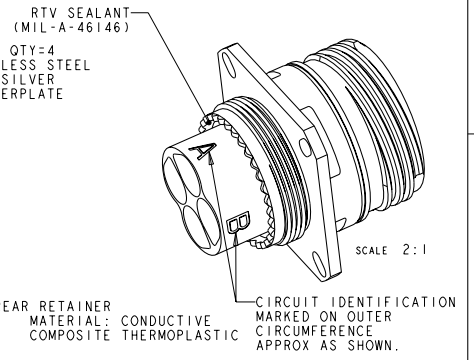
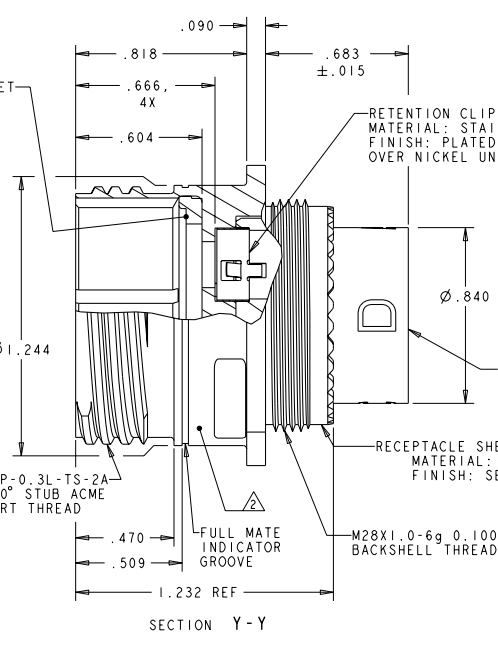
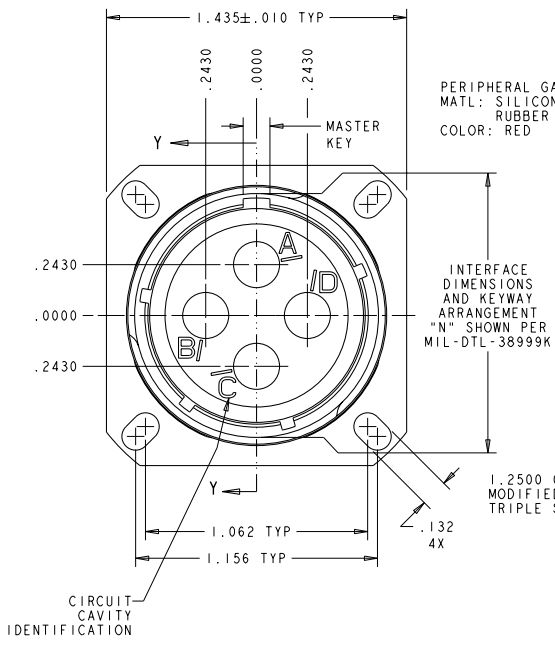
3

2

1

THIS DRAWING IS UNPUBLISHED. RELEASED FOR PUBLICATION BY TYCO ELECTRONICS CORPORATION. ALL RIGHTS RESERVED.

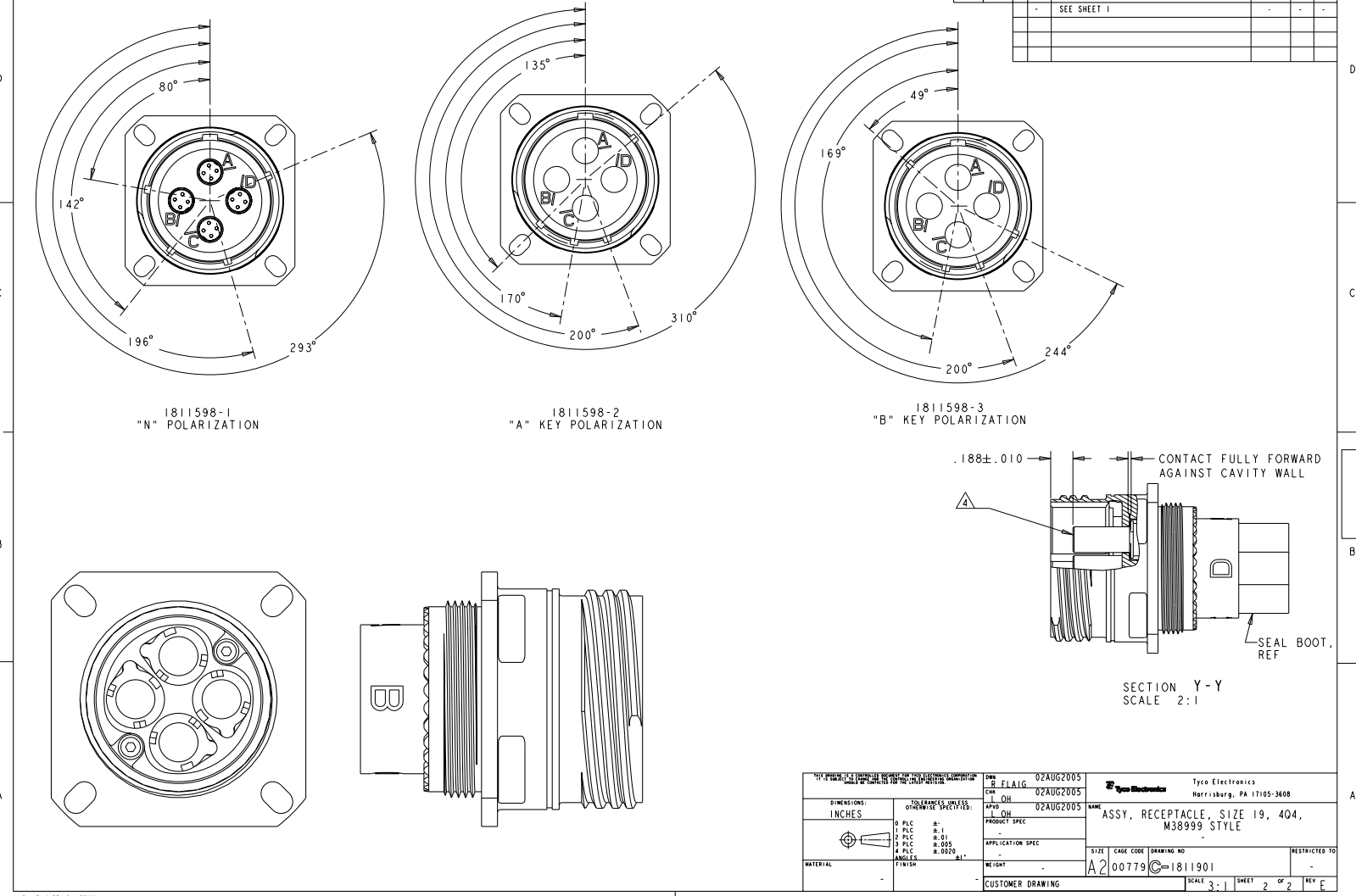
REV	DATE	BY	APPV
E	2-4-99	CT	DM



- THIS CONNECTOR ACCEPTS TYCO ELECTRONICS QUADRAX SOCKET ASSEMBLY; PART NUMBER 1445692-3 or 1877039-2.
- PART IS MARKED WITH TYCO ELECTRONICS PART NO. (SEE TABLE), TYCO ELECTRONICS LOGO OR TE, TYCO ELECTRONICS CAGE CODE, AND DATE CODE.
- OPERATING TEMPERATURE RANGE: -65°C TO +125°C (-85°F TO +257°F).
- QUADRAX PIN ASSEMBLY, 1445692-3 SHOWN FOR REF ONLY
-1, -2, -3, -10, -11, -12, -13, 14, & 15: CONTACT PROVIDED UN-ASSEMBLED
-7, -8, & -9 : CONTACT SOLD SEPARATELY
- THE CONNECTOR QUALIFICATION WAS COMPLETED PER TYCO ELECTRONICS 108-2199. THE QUADRAX CONTACTS ARE QUALIFIED PER TYCO ELECTRONICS 108-2131. THE REFERENCE TEST REPORTS ARE TYCO ELECTRONICS 501-660 FOR THE CONNECTOR AND 501-574 FOR THE CONTACTS WHICH ARE SAME AS ARINC 600-13, DRAFT 2 OF SUPPLEMENT 14 (AIR TRANSPORT AVIONICS EQUIPMENT INTERFACES).

FINISH	QUADRAX CONTACT QTY	SHELL KEYING ARRANGEMENT	PART NUMBER
OLIVE DRAB	-	B	1-1811901-8
OLIVE DRAB	-	A	1-1811901-7
OLIVE DRAB	-	N	1-1811901-6
NICKEL	1877039-2	B	1-1811901-5
NICKEL	1877039-2	A	1-1811901-4
NICKEL	1877039-2	N	1-1811901-3
OLIVE DRAB	1445692-3	B	1-1811901-2
OLIVE DRAB	1445692-3	A	1-1811901-1
OLIVE DRAB	1445692-3	N	1-1811901-0
NICKEL	-	B	1811901-9
NICKEL	-	A	1811901-8
NICKEL	-	N	1811901-7
NICKEL	1445692-3	B	1811901-3
NICKEL	1445692-3	A	1811901-2
NICKEL	1445692-3	N	1811901-1

DATE: 02AUG2005	BY: R FLAIG	CHK: OH	APPV: OH	DATE: 02AUG2005	NAME: ASSY, RECEPTACLE, SIZE 19, 04, M38999 STYLE
DIMENSIONS: INCHES		TOLERANCES UNLESS OTHERWISE SPECIFIED:		MATERIAL: FINISH	
0 PLC ±.01	1 PLC ±.01	2 PLC ±.01	3 PLC ±.005	4 PLC ±.0020	ANGLES ±.1°
WEIGHT: -		CUSTOMER DRAWING		SCALE: 3:1	SHEET 1 OF 2



REVISIONS				
REV	DATE	BY	APPV	DESCRIPTION
-	-	-	-	SEE SHEET 1

DIMENSIONS: INCHES 0 PLC ±.1 1 PLC ±.1 2 PLC ±.01 3 PLC ±.005 4 PLC ±.0025 ANGLES ±.1°		TO BE MADE TO ORDER FOR THE CUSTOMER'S APPLICATION. DIMENSIONS ARE SUBJECT TO CHANGE WITHOUT NOTICE. OPERATING SPECIFICATIONS: PRODUCT SPEC APPLICATION SPEC WEIGHT MATERIAL FINISH		DWG NO. 02AUG2005 R ELAIG CBY OH 02AUG2005 APVD OH 02AUG2005	Tyco Electronics Harrisburg, PA 17105-3608
NAME: ASSY, RECEPTACLE, SIZE 19, 404, M38999 STYLE			SHEET: A2 CASE CODE: 00779 DRAWING NO: 1811901	RESTRICTED TO: - SCALE: 3:1 SHEET: 2 OF 2 REV: E	CUSTOMER DRAWING