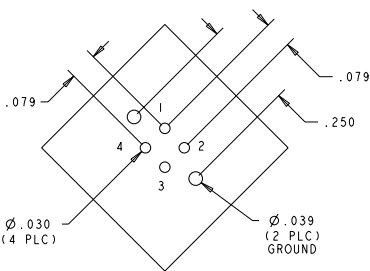
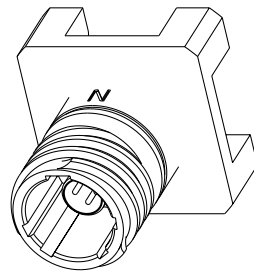


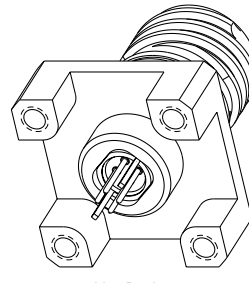
LOC		DIST		REVISIONS			
DF	A5	P	LYR	DESCRIPTION	DATE	BY	APPR
		E		REV PER ECO 09-025507	12-11-09	CT	DM



PCB LAYOUT



SCALE 3:1

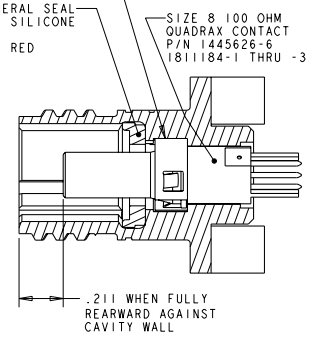
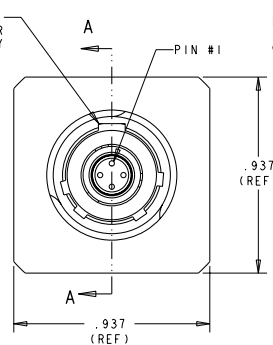
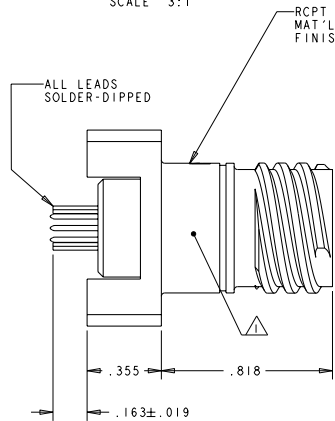
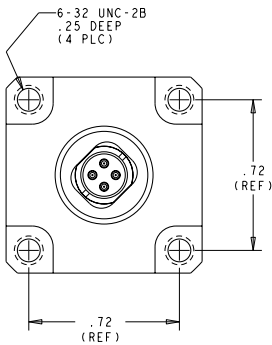


SCALE 3:1

RETENTION CLIP
 MAT'L: STAINLESS STEEL
 FINISH: PLATED SILVER
 OVER NICKEL UNDERPLATE

PERIPHERAL SEAL
 MAT'L: SILICONE
 RUBBER
 COLOR: RED

SIZE 8 100 OHM
 QUADRAX CONTACT
 P/N 1445626-6
 1811184-1 THRU -3 ONLY



SECTION A-A

NO CONTACT	NICKEL	"B" KEY	1811184-9
NO CONTACT	NICKEL	"A" KEY	1811184-8
NO CONTACT	NICKEL	"N" KEY	1811184-7
W/CONTACT	NICKEL	"B" KEY	1811184-3
W/CONTACT	NICKEL	"A" KEY	1811184-2
W/CONTACT	NICKEL	"N" KEY	1811184-1
REMARKS	SHELL FINISH	38999 POLARIZATION	PART NUMBER

- △ PART IS MARKED WITH TE PART NO. (SEE TABLE), (00779) TE LOGO OR TE AND DATE CODE.
- OPERATING TEMPERATURE RANGE: -65°C TO +125°C (-85°F TO +257°F).
 - THE CONNECTOR QUALIFICATION WAS COMPLETED PER TE SPEC. 108-2199. THE QUADRAX CONTACTS ARE QUALIFIED PER TE SPEC. 108-2131. THE REFERENCE TEST REPORTS ARE TYCO ELECTRONICS 501-660 FOR THE CONNECTOR AND 501-574 FOR THE CONTACTS WHICH ARE SAME AS ARINC 600-13, DRAFT 2 OF SUPPLEMENT 14 (AIR TRANSPORT AVIONICS EQUIPMENT INTERFACES).

DIMENSIONS:		TOLERANCES UNLESS OTHERWISE SPECIFIED:		TYCO ELECTRONICS	
INCHES				Tyco Electronics Harrisburg, PA 17105-3608	
0 PLC	±.1	DATE	04AUG04	REV	04AUG04
1 PLC	±.01	APP'D		NAME	
2 PLC	±.001	PRODUCT SPEC		RECEPTACLE, 38999 SERIES III, SIZE 9	
3 PLC	±.0001	APPLICATION SPEC		PCB MOUNT WITH STAND-OFFS,	
4 PLC	±.00001	WEIGHT		SINGLE QUADRAX	
ANGLES	±.00001	FINISH			
MATERIAL		RESTRICTED TO			
		CUSTOMER DRAWING		SHEET	OF