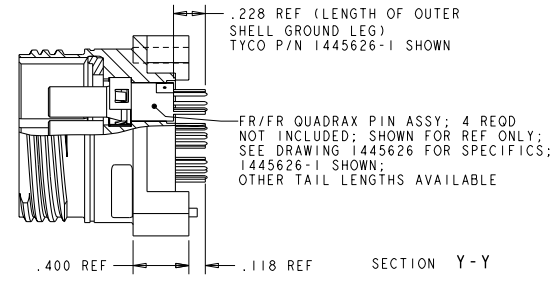
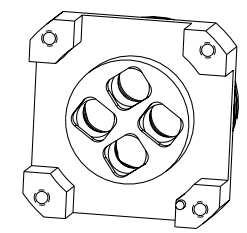
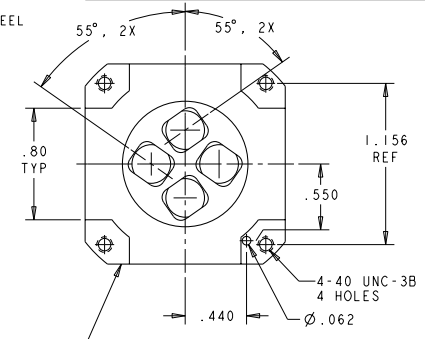
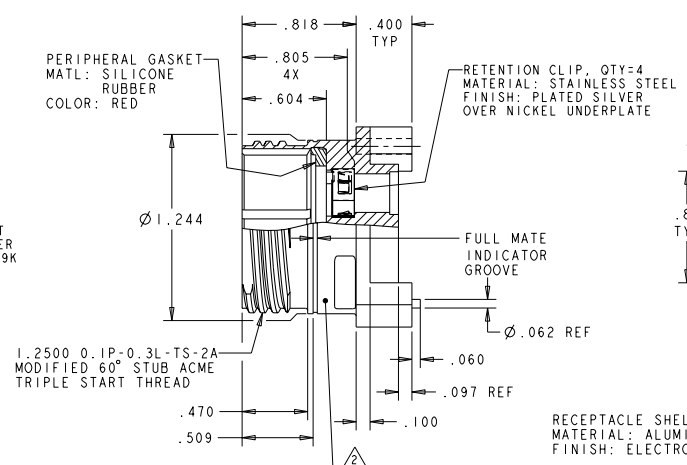
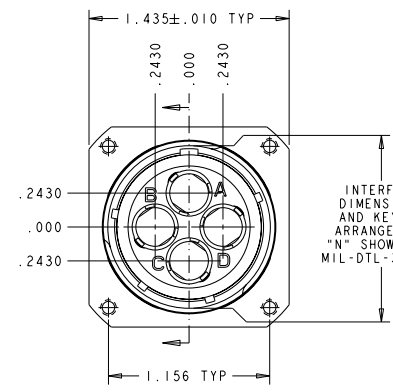


LOC	DF	REV	DESCRIPTION	DATE	BY	APPD
	A5	C	REVISED PER ECO-08-028679	23DEC2008	SK	DM



TEMPORARY REAR VIEW SHOWING PROVISIONS FOR PCB MOUNTING

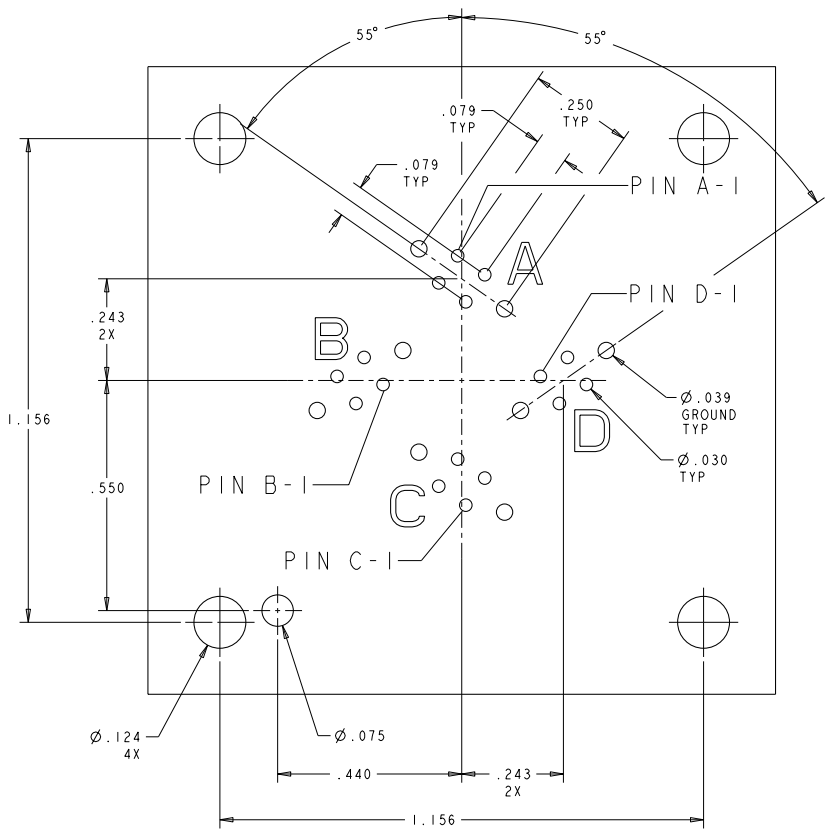
CONTACTS NOT INCLUDED WITH ASSY; SHOWN FOR REFERENCE ONLY IN SHOWING SOLDER TAIL LENGTHS

- THIS CONNECTOR ACCEPTS TYCO ELECTRONICS QUADRAx FR/FR PIN ASSEMBLY; BASE NUMBERS 1445626.
- PART IS MARKED WITH CUSTOMER PART NO. (SEE TABLE, TYCO ELECTRONICS CAGE CODE (00779), TYCO ELECTRONICS LOGO OR TE AND DATE CODE.
- THE CONNECTOR QUALIFICATION WAS COMPLETED PER TYCO ELECTRONICS 108-2199. THE QUADRAx CONTACTS ARE QUALIFIED PER TYCO ELECTRONICS 108-2131. THE REFERENCE TEST REPORTS ARE TYCO ELECTRONICS 501-660 FOR THE CONNECTOR AND 501-574 FOR THE CONTACTS WHICH ARE SAME AS ARINC 600-13, DRAFT 2 OF SUPPLEMENT 14 (AIR TRANSPORT AVIONICS EQUIPMENT INTERFACES).

—	B	1738974-3
—	A	1738974-2
—	N	1738974-1
CUSTOMER PART NUMBER	SHELL KEYING ARRANGEMENT	PART NUMBER

DIMENSIONS:		TOLERANCES UNLESS OTHERWISE SPECIFIED:		MATERIAL:		FINISH:	
INCHES	0 PLC ±.010	1 PLC ±.005	2 PLC ±.002	3 PLC ±.001	4 PLC ±.0005	5 PLC ±.0002	ANGLES ±2°-30°
SEE CALLOUTS	SEE CALLOUTS	SEE CALLOUTS	SEE CALLOUTS	SEE CALLOUTS	SEE CALLOUTS	SEE CALLOUTS	SEE CALLOUTS

LOC	DF	REV	DESCRIPTION	DATE	BY	APPR
A5		1	SEE SHEET 1	-	-	-



PIN NUMBER	SIGNAL ALLOCATION
1	Tx+
2	Rx+
3	Tx-
4	Rx-

PIN LOCATIONS GO CLOCKWISE FROM POSITION 1

PCB LAYOUT
TOP VIEW

DIMENSIONS: IN		TO MANUFACTURER'S SPECIFICATIONS UNLESS OTHERWISE SPECIFIED		DWG Brian D. Taylor 19MAY2004	Tyco Electronics Harrisburg, PA 17105-3608
MATERIAL -		FINISH -		APPR W. H. BERNHART 19MAY2004	NAME ASSY, RECEPTACLE, SIZE 19, 40A, M38999 STYLE, SERIES III, PCB MOUNT
WEIGHT -		APPLICATION SPEC -		SIZE A2	CASE CODE 00779
CUSTOMER DRAWING		DRAWING NO 1738974		SCALE 2:1	SHEET 2 OF 2