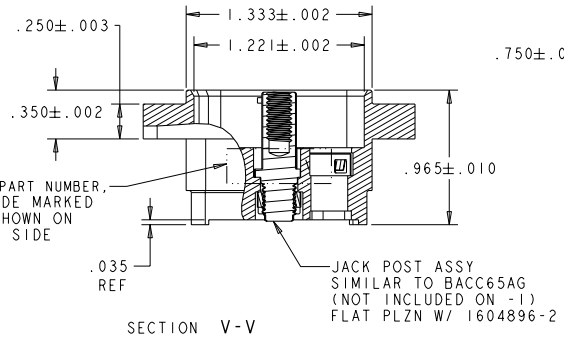
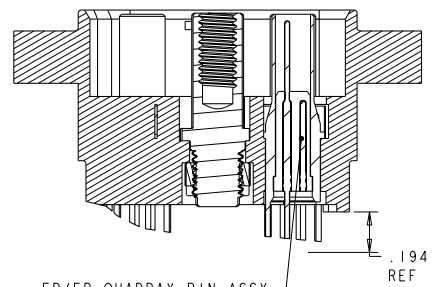
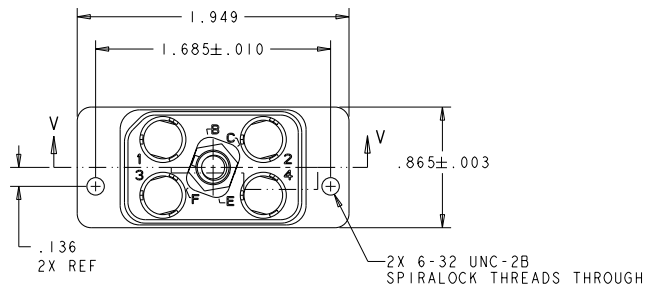
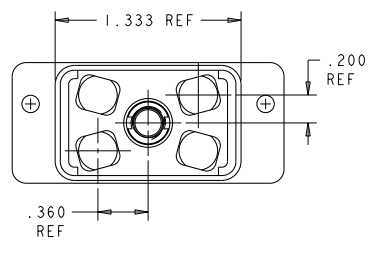


THIS DRAWING IS UNPUBLISHED. RELEASED FOR PUBLICATION BY TYCO ELECTRONICS CORPORATION. ALL RIGHTS RESERVED.

REV	DATE	BY	CHKD	APPROV
A	22JUN07	BH	DM	
B	17MAR2008	CT	DM	

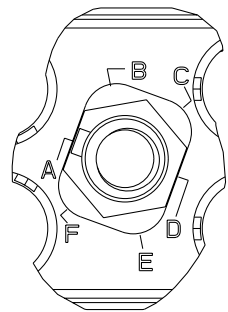


TE LOGO, TE PART NUMBER, AND DATE CODE MARKED APPROX AS SHOWN ON NEAR OR FAR SIDE



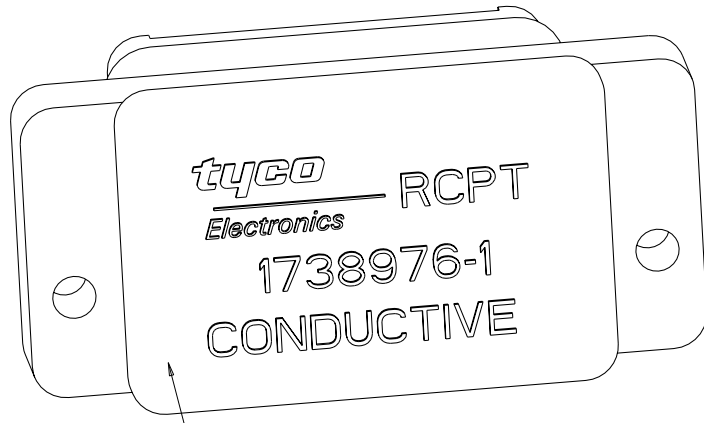
DUST COVER INCLUDED; SEE SHT 2	WITH JACKSCREW (FLAT POLARIZATION)	1738949-2
DUST COVER NOT INCLUDED	WITHOUT JACKSCREW	1738949-1
DUST COVER P/N ---	DESCRIPTION	PART NO.

OWN: G. DOUITY	DATE: 5-17-04	TYCO ELECTRONICS
CHK: G. DOUITY	DATE: 5-17-04	HARRISBURG, PA 17105-3608
APP: G. DOUITY	DATE: 5-17-04	
ASSEMBLY, RECEPTACLE, QUADRAX, PWB MOUNT, FR/FR, 4 POSN		
MATERIAL: -	WEIGHT: -	SCALE: 2:1
CUSTOMER DRAWING	STOCK CODE: A200779	DRAWING NO: 1738949
		SHEET 1 OF 2



**1738949-2
(FLAT PLZN)**

(PLZN CODES, A THRU F, SHOWN FOR REF ONLY; MARKING ON SHELL WILL ONLY SHOW CODES B,C,E AND F)



ESD DUST COVER; PART NUMBER 1738976-1 INCLUDED WITH ASSEMBLY PART NUMBER 1738949-2

SHOWN WITH DUST COVER

LOC		DIST		REVISIONS			
P	LYN	DESCRIPTION	DATE	OWN	APVS		
-	-	SEE SHEET 1	-	-	-		

<small>THIS DRAWING IS UNPUBLISHED. RELEASED FOR PUBLICATION BY TYCO ELECTRONICS CORPORATION. ALL RIGHTS RESERVED. COPYRIGHT 20</small>		<small>TYCO ELECTRONICS CORPORATION</small> <small>1700 MARKET STREET, HARRISBURG, PA 17105-3608</small>	<small>OWN</small> G. BOULTY	<small>DATE</small> 5-17-04	<small>TYCO ELECTRONICS</small> Tyco Electronics Harrisburg, PA 17105-3608
<small>DIMENSIONS:</small> IN	<small>TOLERANCES UNLESS OTHERWISE SPECIFIED:</small> 0 PLC ±. 1 PLC ±. 2 PLC ±. 3 PLC ±. 4 PLC ±. ANGLES ±. FINISH	<small>APPRO</small> - <small>PRODUCT SPEC</small> - <small>APPLICATION SPEC</small> - <small>WEIGHT</small> - <small>CUSTOMER DRAWING</small>	<small>NAME</small> ASSEMBLY, RECEPTACLE, QUADRAX, PWB MOUNT, FR/FR, 4 POSN	<small>SHEET</small> A2	<small>CASE CODE</small> 00779
<small>RESTRICTED TO</small> -		<small>DRAWING NO</small> 1738949		<small>SCALE</small> 5:1	<small>SHEET</small> 2 OF 2