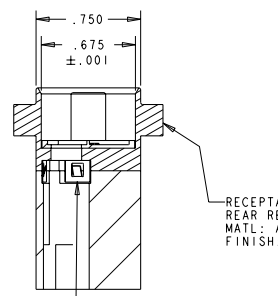
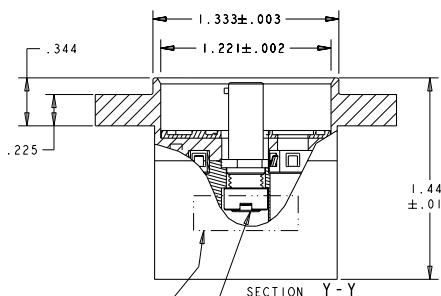
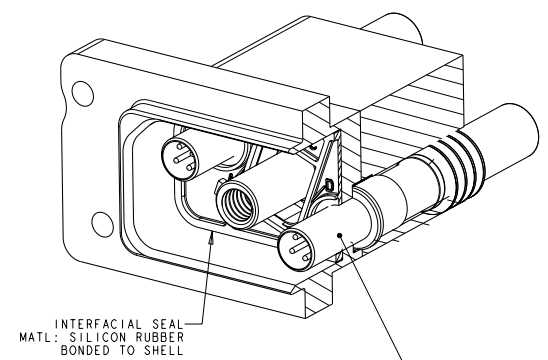
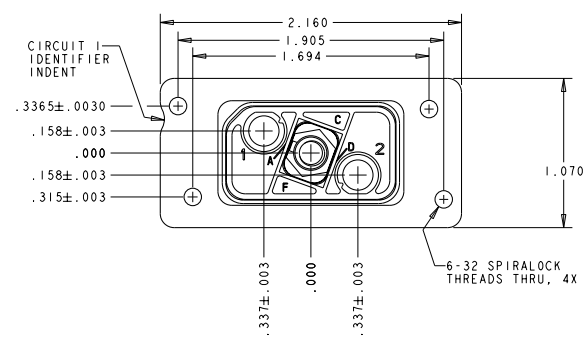


THIS DRAWING IS UNPUBLISHED. RELEASED FOR PUBLICATION BY TYCO ELECTRONICS CORPORATION. ALL RIGHTS RESERVED.

REVOLUTIONS		DATE	BY	APPROV
P	LYA			
B	REV PER ECO 09-013353	8-27-09	CT	DM



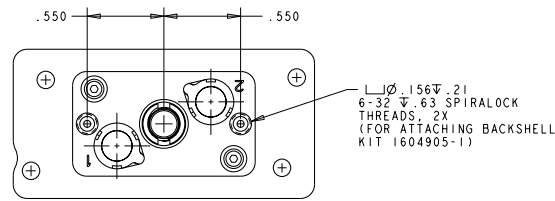
TE LOGO, DATE CODE AND EITHER CUSTOMER OR TE PART NUMBER (PER TABLE) MARKED APPROX AS SHOWN ON NEAR OR FAR SIDE

JACKPOST AND RETENTION NUT KIT, SIMILAR TO BACC65AG; FLAT PLZIN; INCLUDED, BUT NOT INSTALLED

RECEPTACLE SHELL AND REAR RETENTION PLATE  
MATL: ALUMINUM ALLOY  
FINISH: BLACK ANODIZED

RETENTION CLIP, 2 REQD  
MATL: STAINLESS STEEL  
FINISH: PLATED SILVER

⚠ JACKPOST-RETENTION NUT KIT IS UNASSEMBLED TO CONNECTOR ASSY. KIT IS PACKAGED IN SEALED BAG.



SUPERSEDED BY 1604897-5

RECOMMENDED CONTACT WITH WIRE SEAL	BOEING PART NUMBER	DESCRIPTION	PART NO.
1445692-3	---	⚠ WITH JACKPOST-RETENTION NUT KIT (FLAT POLARIZATION) INCLUDES DUST COVER	1604897-5
1445692-4	BACC65BD2A	⚠ WITH JACKPOST-RETENTION NUT KIT (FLAT POLARIZATION) INCLUDES DUST COVER	1604897-4
1445692-2	---	⚠ WITH JACKPOST-RETENTION NUT KIT (FLAT POLARIZATION) INCLUDES DUST COVER	1604897-2

DIMENSIONS: IN		DATE: 06 JUN 03		TYCO ELECTRONICS Harrisburg, PA 17105-3608	
MATERIAL: SEE CALLOUTS		DRAWING NO: A200779		REV: B	
FINISH: SEE CALLOUTS		SCALE: 1:1		SHEET 1 OF 2	

4

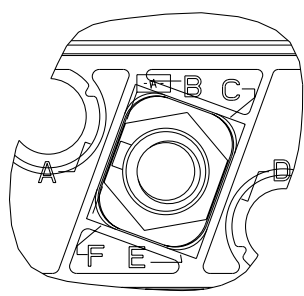
3

2

1

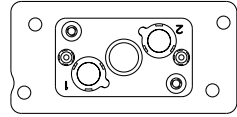
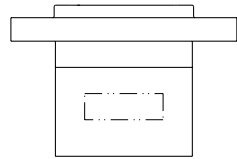
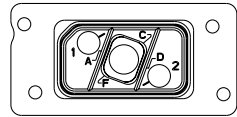
THIS DRAWING IS UNPUBLISHED. RELEASED FOR PUBLICATION  
BY TYCO ELECTRONICS CORPORATION. ALL RIGHTS RESERVED.

REV	DATE	BY	APPROV	DESCRIPTION
-	-	-	-	SEE SHEET 1

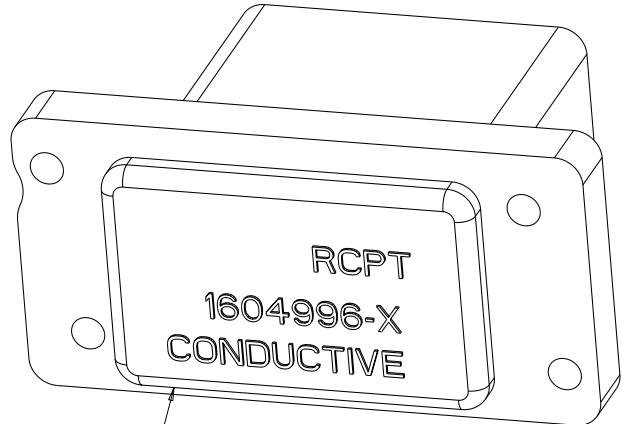


**1604897-2, -4 & -5  
(FLAT PLZLN)**

(CODES A, B, C, D, E, AND F;  
SHOWN FOR REF ONLY)  
(MARKING ON INTERFACIAL SEAL  
WILL ONLY SHOW A, C, D AND F)



1604897-2  
SCALE 3:2



ESD DUST COVER; PART NUMBER 1604996-2  
INCLUDED WITH ASSEMBLIES

**SHOWN WITH DUST COVER**

<small>TOP DIMENSIONS CONTROLLED BY THE CUSTOMER'S DIMENSIONAL SPECIFICATIONS. DIMENSIONS ARE SHOWN FOR THE LATEST REVISION.</small>		DWG: RYOHN 06 JUN 03 CDR: W. H. BERNHART (SMAR04) APPR: W. H. BERNHART (SMAR04)	Tyco Electronics Harrisburg, PA 17105-3608
DIMENSIONS: IN	TOLERANCES UNLESS OTHERWISE SPECIFIED: 0 PLC ±.010 1 PLC ±.015 2 PLC ±.020 3 PLC ±.005 4 PLC ±.010 ANGLES ±1°	NAME: ASSEMBLY, RECEPTACLE, QUADRAX, PANEL MOUNT, RR/RR, 2 POSN APPLICATION SPEC: - PRODUCT SPEC: - WEIGHT: - FINISH: - MATERIAL: -	SHEET: A2 CASE CODE: 00779 DRAWING NO: 1604897 RESTRICTED TO: - SCALE: 1:1 SHEET 2 OF 2 REV B
CUSTOMER DRAWING		DATE: 06 JUN 03	