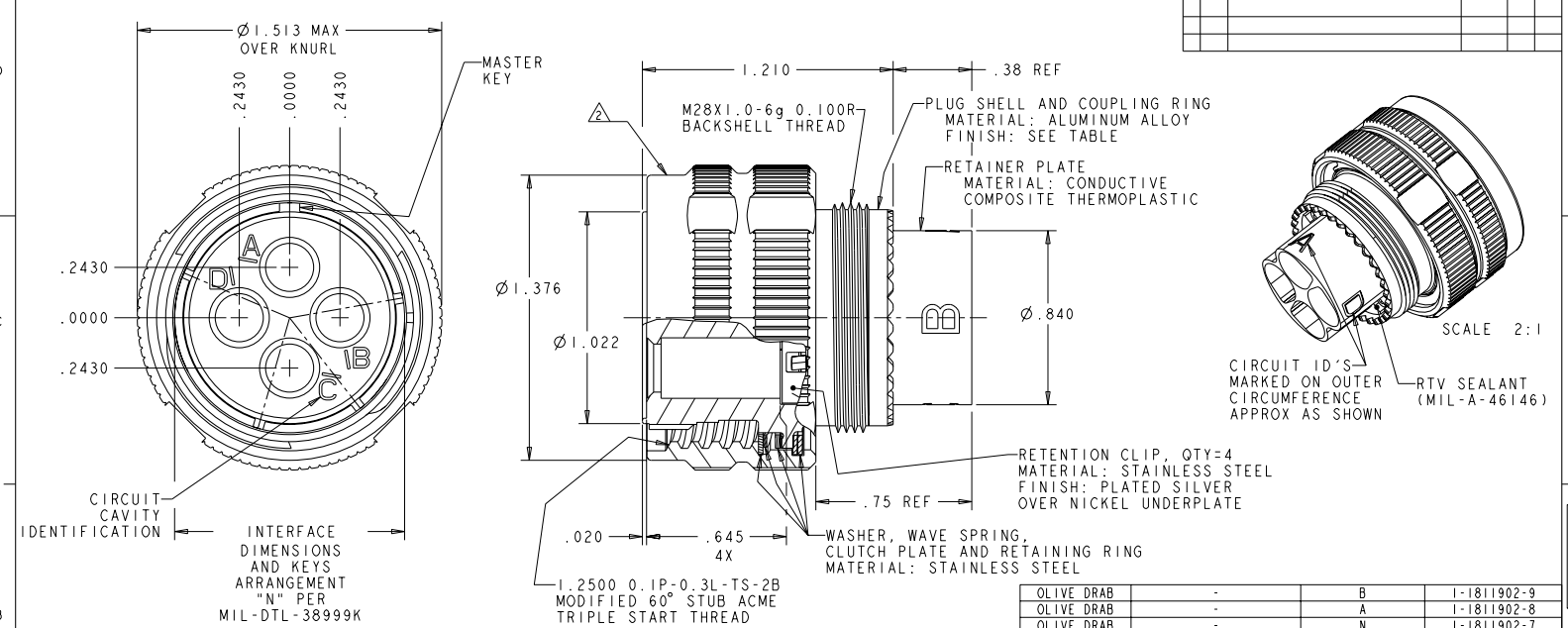


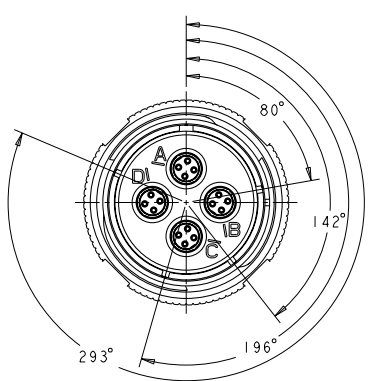
REV	DATE	BY	APP'D
E	2-4-99	CT	DM



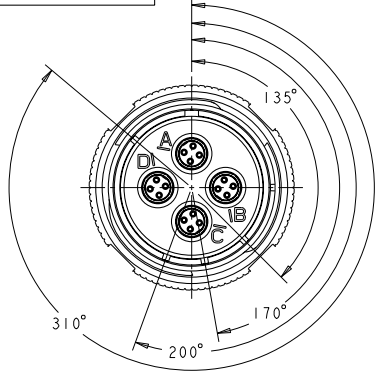
- THIS CONNECTOR ACCEPTS TYCO ELECTRONICS QUADRIX SOCKET ASSEMBLY; PART NUMBER 1445693-3 OR 1877040-2.
- PART IS MARKED WITH TYCO ELECTRONICS PART NO. (SEE TABLE), TYCO ELECTRONICS LOGO OR TE, TYCO ELECTRONICS CAGE CODE, AND DATE CODE.
- OPERATING TEMPERATURE RANGE: -65°C TO $+125^{\circ}\text{C}$ (-85°F TO $+257^{\circ}\text{F}$).
- THE CONNECTOR QUALIFICATION WAS COMPLETED PER TYCO ELECTRONICS 108-2199. THE QUADRIX CONTACTS ARE QUALIFIED PER TYCO ELECTRONICS 108-2131. THE REFERENCE TEST REPORTS ARE TYCO ELECTRONICS 501-660 FOR THE CONNECTOR AND 501-574 FOR THE CONTACTS WHICH ARE SAME AS ARINC 600-13, DRAFT 2 OF SUPPLEMENT 14 (AIR TRANSPORT AVIONICS EQUIPMENT INTERFACES).

FINISH	QUADRIX CONTACT QTY=4	SHELL KEYING ARRANGEMENT	PART NUMBER
OLIVE DRAB	-	B	1-1811902-9
OLIVE DRAB	-	A	1-1811902-8
OLIVE DRAB	-	N	1-1811902-7
NICKEL	1877040-2	B	1-1811902-5
NICKEL	1877040-2	A	1-1811902-4
NICKEL	1877040-2	N	1-1811902-3
OLIVE DRAB	1445693-3	B	1-1811902-2
OLIVE DRAB	1445693-3	A	1-1811902-1
OLIVE DRAB	1445693-3	N	1-1811902-0
NICKEL	-	B	1811902-9
NICKEL	-	A	1811902-8
NICKEL	-	N	1811902-7
NICKEL	1445693-3	B	1811902-3
NICKEL	1445693-3	A	1811902-2
NICKEL	1445693-3	N	1811902-1

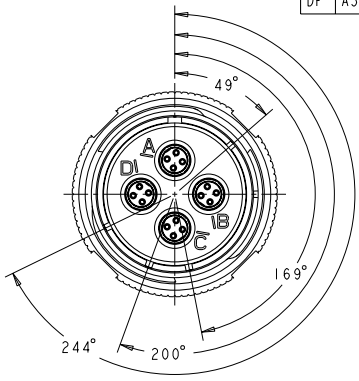
OWN	R FLAG	02AUG2005	TYCO ELECTRONICS
CHK	OH	02AUG2005	Harrisburg, PA 17105-3608
APP'D	OH	02AUG2005	NAME
PRODUCT SPEC	APPLICATION SPEC	WEIGHT	RESTRICTED TO
MATERIAL	FINISH	CUSTOMER DRAWING	SCALE 3:1 SHEET 1 OF 2 REV E



1811599-1
"N" KEY POLARIZATION

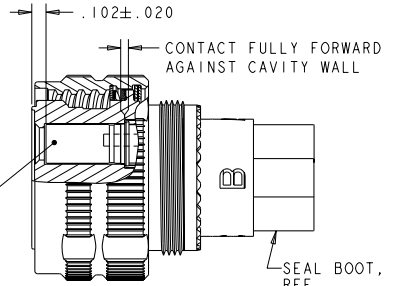
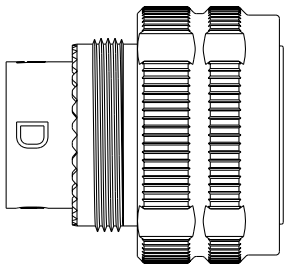
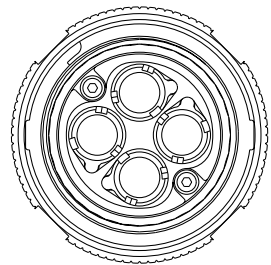


1811599-2
"A" KEY POLARIZATION



1811599-3
"B" KEY POLARIZATION

REV	DATE	BY	APPROV
1			
2			
3			
4			



QUADRAX SOCKET ASSY,
SHOWN FOR REF ONLY
-1, -2, -3, -10, -11,
-12, -13, -14, & -15 CONTACT PROVIDED UN-ASSEMBLED
-7, -8, & -9 CONTACT SOLD SEPARATELY

SECTION Y-Y
SCALE 2:1

DIMENSIONS: INCHES 0 PLC ±.1 1 PLC ±.1 2 PLC ±.01 3 PLC ±.005 4 PLC ±.0020 ANGLES ±1°		DATE: 02AUG2005 BY: R FLAIG CHK: OH APPR: OH PRODUCT SPEC: APPLICATION SPEC: WEIGHT: FINISH:	DATE: 02AUG2005 NAME: ASSY. PLUG, SIZE 19, 404, M38999 STYLE SHEET: A2 CASE CODE: 00779 DRAWING NO: 1811902 SCALE: 3:1 SHEET: 2 OF 2 REV: E	Tyco Electronics Harrisburg, PA 17105-3608
--	--	---	--	---