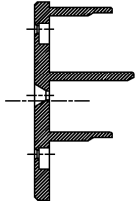
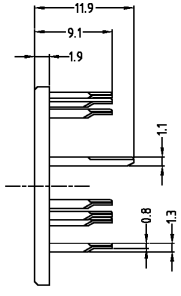
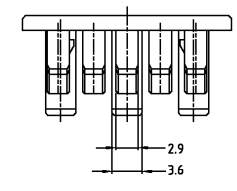
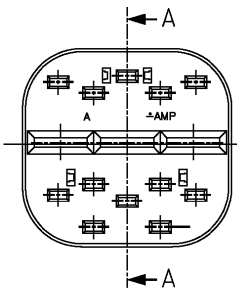
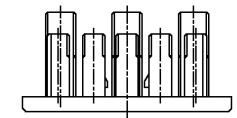
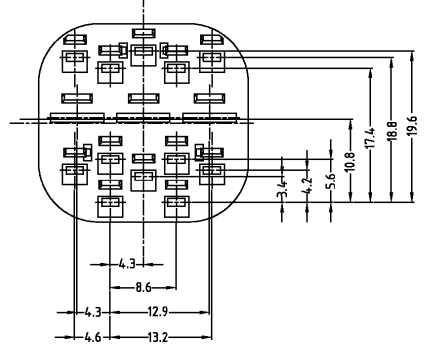


THIS DRAWING IS UNPUBLISHED. RELEASED FOR PUBLICATION .1997 .
 © COPYRIGHT 1997 BY AMP INCORPORATED. ALL RIGHTS RESERVED.

LDC		DIST		REVISIONS				
P	LTR	DESCRIPTION	DATE	DWN	APVD			
	0	RELEASED	21,DEC'95	YM	JK			
	C	REVISED ECN(FC00-0044-02)	19,MAR'02	JW	CS			



SECTION A-A
SCALE 2:1



NOTE.
1. TO BE MATED WITH PLUG HOUSING (P/N: 85263, 368300)

NO	PART NO.	DESCRIPTION	COLOR
1	0-085223-1	070 / 250 15P DBL PLATE FOR HSG	YELLOW

<small>THIS DRAWING IS CONTROLLED DOCUMENT FOR AMP INCORPORATED. IT IS SUBJECT TO CHANGE AND THE CONTROLLING ENGINEERING DEPARTMENT SHALL BE CONTACTED FOR THE LATEST REVISION.</small>		DWN BH JIN
DIMENSIONS: MM 3rd ANGLE PROJECTION		CHK BM JANG
TOLERANCES UNLESS OTHERWISE SPECIFIED: 0 CXX<10 ± 0.2 10 CXX<30 ± 0.25 30 CXX ± 0.3 ANGLES ± 3°		APVD CS LEE
MATERIAL	FINISH	PRODUCT SPEC ---
PBT	---	APPLICATION SPEC ---
		WEIGHT ---

AMP AMP KOREA, kyungsan, korea.		
NAME 070 / 250 15P DBL PLATE FOR HSG ECONOSEAL J-MARKII+ CONN.		
SIZE A3	CAGE CODE 00779	DRAWING NO 85223
SCALE 2 : 1		SHEET 1 OF 1
		REV C