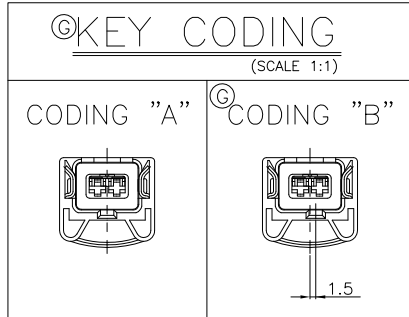
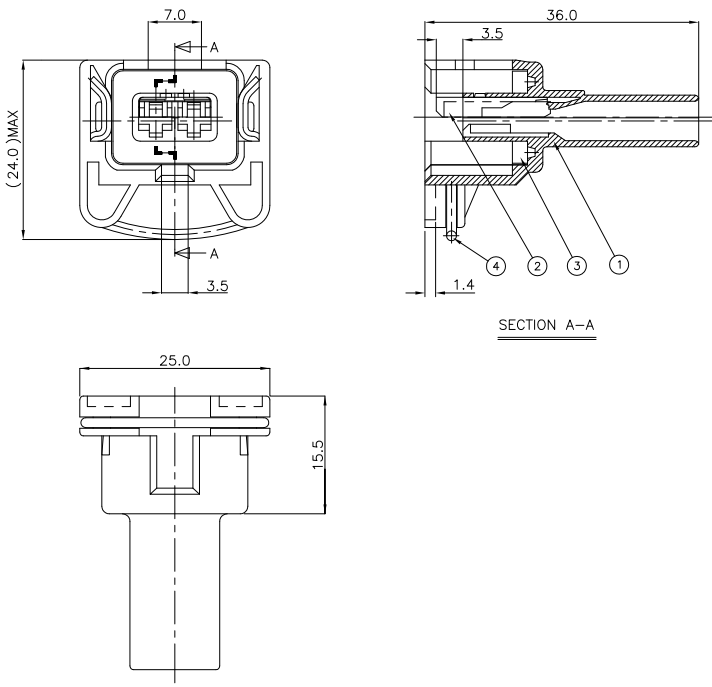


THIS DRAWING IS UNPUBLISHED. RELEASED FOR PUBLICATION 20
 © COPYRIGHT 20 BY - ALL RIGHTS RESERVED.

LOC	DIST	REVISIONS			
P	LTR	DESCRIPTION	DATE	DWN	APVD
E		REVISED(FC00-0044-01)	24/APR/11	YD	CS
F		REVISED(FC00-0138-02)	22/NOV/02	YD	CS
G		REVISED(ECR-10-020219)	13.MAY'11	IS	HG



- * NOTES *
1. APPLICABLE CONTACT P/NO: 927770 / 927766
 2. APPLICABLE WIRE SEAL P/NO: 828904 / 828905 / 368064

NO	COLOR	MATERIAL	DESCRIPTION	QTY	P/N	DESCRIPTION	REV	CODE
4		SUS 304	SPRING	1	1	1	1	1
3	ORANGE	SILICONE	SEAL RUBBER	1	1	1	1	1
2	YELLOW	PBT	SPACER	1	1	1	1	1
1	DARK GRAY	PBT-GF30	JPT 2P HSG DG "B"	1				
1	DARK GRAY	PBT-GF30	JPT 2P HSG DG		1			
1	BROWN	PBT-GF30	JPT 2P HSG BR			1		
1	GREEN	PBT-GF30	JPT 2P HSG GR				1	
1	BLUE	PBT-GF30	JPT 2P HSG BL					1
1	BLACK	PBT-GF30	JPT 2P HSG BK					1

THIS DRAWING IS A CONTROLLED DOCUMENT.

DWN IS WDD	TE Connectivity	
CHK KT LIM	NAME	
APVD HG CHD	JPT 2P HSG ASS'Y (STANDARD)	
PRODUCT SPEC 108-61000	SIZE	DRAWING NO
APPLICATION SPEC 114-18018	CAGE CODE A300779	RESTRICTED TO
MATERIAL -	WEIGHT 4.70g	SCALE 2:1
FINISH -	CAGE CODE G-85202	SHEET 1 OF 1
CUSTOMER DRAWING	SCALE	REV G