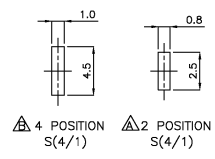
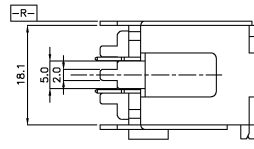
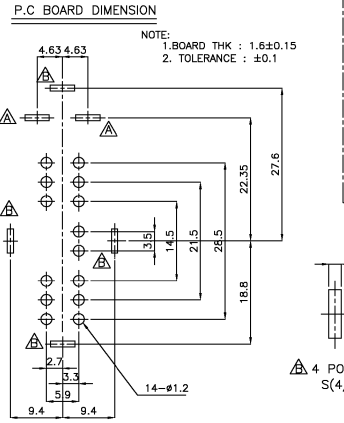
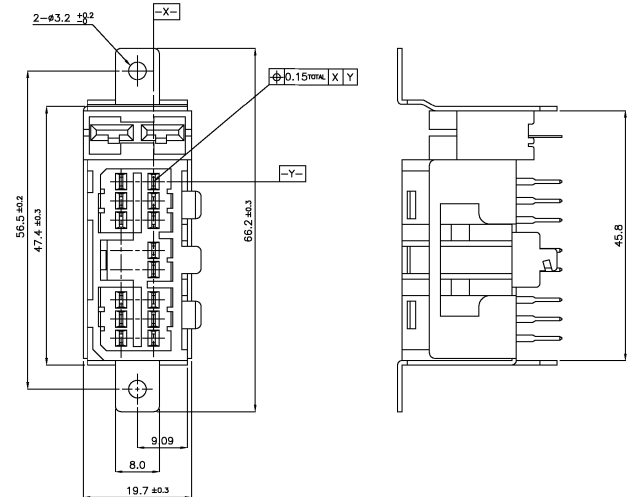
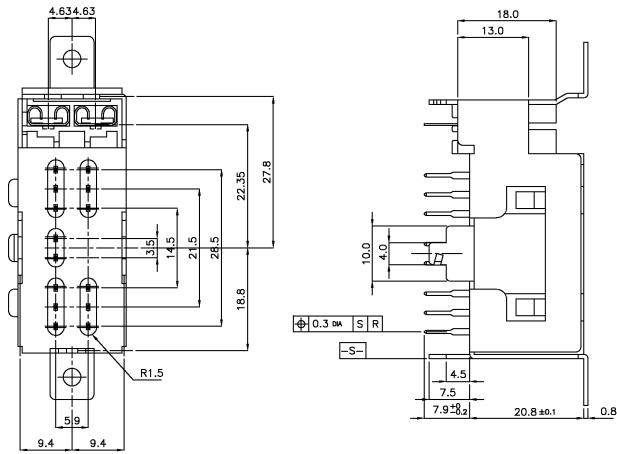


DRAWING MADE IN KOREAN PROJECTION

DIMENSIONS IN MM

CUSTOMER DRAWING



- NOTE:
1. MATERIAL : PLASTIC : P.B.T  
BRACKET : STC(0.8T)  
TERMINAL : BRASS
  2. FINISH : TIN-PLATING
  3. CUSTOMER PART NUMBER : H850
  4. HOUSING COLOR
- |               |         |
|---------------|---------|
| BLACK         | 85142-2 |
| NATURAL       | 85142-1 |
| HOUSING COLOR | PART NO |
5. TAB ALIGNMENT : ± 30'
  6. AVOID ANY GAP BETWEEN HSG AND METAL SHELL AFTER ASSEMBLY

© 1995 AMP MFG KOREA ALL RIGHT RESERVED AMP PRODUCTS COVERED BY PATENTS AND OR PATENTS PENDING				AMP AMP MFG KOREA			
MATERIAL		INSULATION DIA		NAME			
SEE NOTE		SEE NOTE		COMBI CONNECTOR "V" 14P ASS'Y (TYPE - B)			
TOLERANCES		SIZE		LIC		NUMBER	
ØXXX±0.02		A2		DS		8 5 1 4 2	
XXX±0.05		SCALE		REV		SHEET	
XXX±0.1		2/1		A		1/1	
ANGLES 33°							
REV	DATE	CHK	DATE	REV	DATE	CHK	DATE
A		JW	BM	07/10			
O	RELEASED	JW	BM	07/10			
LTR	REVISION RECORD	DR	CHK	DATE	CHK	DATE	

PRINT DIST.