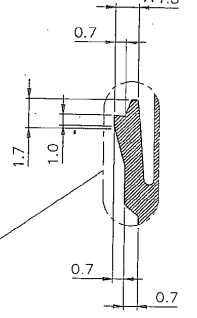
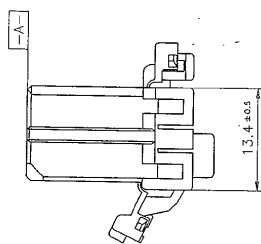
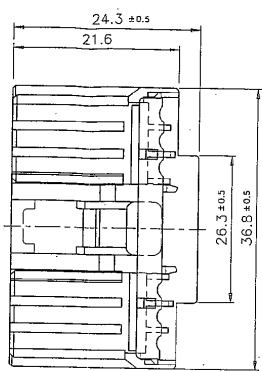
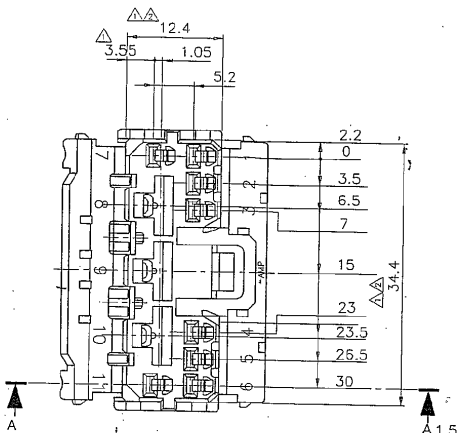
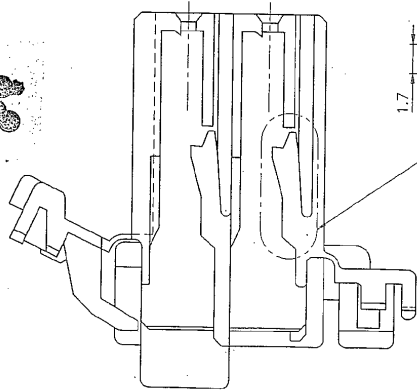


CUSTOMER DRAWING



LANCE DETAIL



SECTION A-A

NOTE:  
 1 TO BE MEASURED BETWEEN [A-A] AND 2  
 2 TO BE MATE WITH TAP HSG SMOOTHLY  
 3 APPLIED RECEPTACLE CONTACT PART NUMBERS  
 .070 SERIES, 173630, 173631  
 .250 SERIES, 170032, 170258, 170384  
 4 APPLIED TAB HSG P/N : 85110

LTR	REVISION RECORD	DR	CHK	DATE

© 19 98P MFG KOREA ALL RIGHT RESERVED AMP PRODUCTS COVERED BY PATENTS AND OR PATENTS PENDING		AMP AMP MFG KOREA	
WIRE RANGE		INSULATION DIA	NAME
MATERIAL		FINISH/COLOR	070/250 HYBRID 11P REC HSG
DR	JW JUNG	APP	CS LEE
CHK	EM JANG	REL	CS LEE
TOLERANCES		SIZE	LDC
XXXK10 ±0.2		A2	DS
10XXX30 ±0.25		SCALE	NUMBER
30XXX100 ±0.3		2/1	85109
ANGLES ±3°		REV	SHEET
		0	1/1