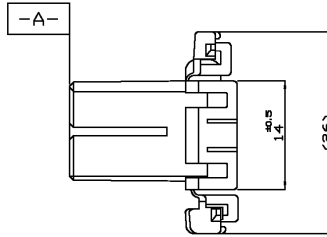
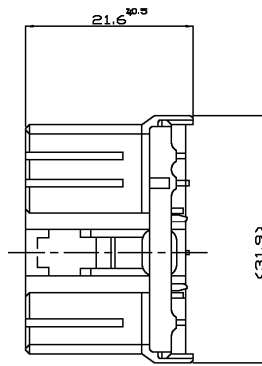
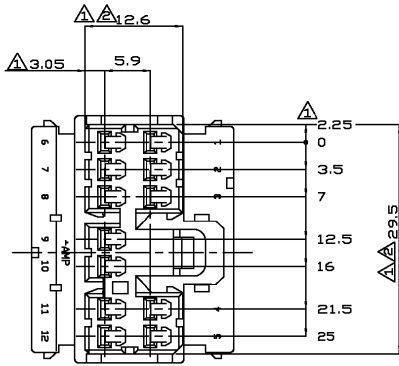


THIS DRAWING IS UNPUBLISHED. RELEASED FOR PUBLICATION .19  
 © COPYRIGHT 19 BY AMP INCORPORATED. ALL RIGHTS RESERVED.

LDC		DIST		REVISIONS			
P	LTR	DESCRIPTION	DATE	DWN	APVD		
0		RELEASED(FC00-0002-00)	04,JAN,00	HS	CS		
A		REVISED(FC00-0337-04)	28,DEC,04	SB	CS		



NOTES

- ⚠ MUST BE KEPT BETWEEN [-A-] AND 2.
- ⚠ TO BE MATE WITH CAP HSG SMOOTHLY.
- 3, APPLIED CONTACT P/N: 173630, 173631.

①	368542-9	BLACK
	368542-1	NATURAL
	P/N	COLOR
	<b>tyco</b> Electronics	AMP KOREA. kyungsan, korea
	NAME .070 MLC 12P PLUG HSG.	
	SIZE A3	CAGE CODE 00779
	DRAWING NO. 368542	
	SCALE 2/1	SHEET 1 OF 1
		REV A

DIMENSIONS: MM		TOLERANCES UNLESS OTHERWISE SPECIFIED:	
0	XX<10	± 0.2	
10	XX<30	± 0.25	
30	XX	± 0.3	
	ANGLES	± 3°	

3rd ANGLE PROJECTION

MATERIAL	P.B.T	FINISH	---
----------	-------	--------	-----

DWN	
CHK	
APVD	
PRODUCT SPEC	
APPLICATION SPEC	
WEIGHT	