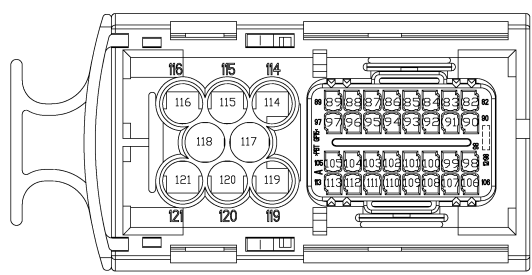
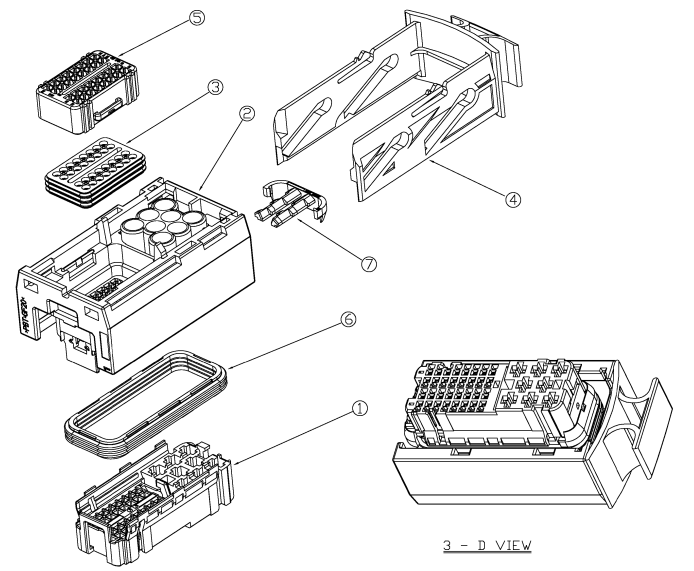
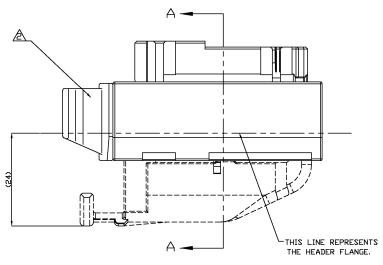
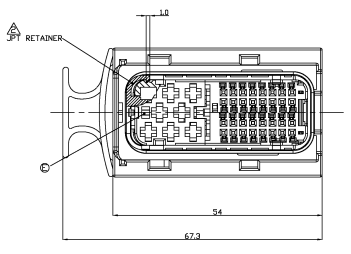
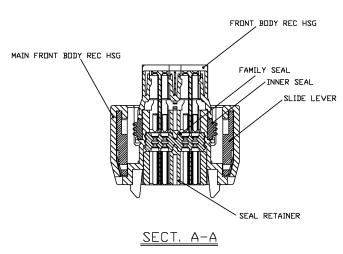


NOT DRAWN TO DIMENSIONS RELEASED FOR REPRODUCTION
 COPYRIGHT © BY THIS ELECTRONIC COMPONENTS, S.L. ALL RIGHTS RESERVED

REVISED		REVISIONS			
DS	DATE	DESCRIPTION	BY	CHK	APPV
D		RELEASED FOR 00-0162-00	REJUN	HS	CS
A		REVISED FOR 00-0053-01	MAYJUN	HS	CS
B		REVISED FOR 00-0104-01	OCTJUN	HS	CS
C		REVISED FOR 00-0136-01	NOVJUN	HS	CS
D		REVISED FOR 00-0145-01	JANJUN	HS	CS
E		REVISED FOR 00-0008-03	JANJUN	HS	CS
F		REVISED FOR 07-008980	APR JUN	YH	JK



368383-4	82,83,86,87,88,90,91, 97,105,111,112	④④④
368383-3	82,84,86,87,90,91,95,96, 98,100,103,104,111,112	④
368383-2	82,84,86,87,89-92,94-98, 100,103-105,111-113	④
368383-1	-	
PART NUMBER	BLANKED CAVITIES	

- NOTES
- GENERAL TOLERANCE IS ±0.5
 - CONDITION OF DELIVERY : SLIDE LEVER IN CLOSED POSITION, JPT RETAINER IN OPEN POSITION.
 - SUITABLE FOR WIRE SIZE RANGE:

CONTACT	MGS	JPT
CIRCUIT NO.	82 - 113 114 - 121	
WIRE SIZE(mm ²)	0.5 - 0.75 0.5 - 2.5	
 - APPLIED COVER HSG P/N 368401
 - APPLIED RECEPTACLE CONTACT P/N

CONTACT	MGS	JPT
Part NO.	968220 968221 964286 964273	
WIRE SIZE(mm ²)	0.5 0.75 0.5 - 1.0 1.0 - 2.5	
 - APPLIED HEADER ASSEMBLY P/N 368146

7	368381-1	JPT RETAINER FOR 40P	PBT-GF30	YELLOW	1	1	1	1
6 <td>368907-1</td> <td>INNER SEAL FOR 48P</td> <td>SILICONE</td> <td>DRANGE</td> <td>1 <td>1 <td>1 <td>1</td> </td></td></td>	368907-1	INNER SEAL FOR 48P	SILICONE	DRANGE	1 <td>1 <td>1 <td>1</td> </td></td>	1 <td>1 <td>1</td> </td>	1 <td>1</td>	1
	368387-4			BLUE	1 <td>1 <td>1 <td>1</td> </td></td>	1 <td>1 <td>1</td> </td>	1 <td>1</td>	1
	368387-3			WHITE	1 <td>1 <td>1 <td>1</td> </td></td>	1 <td>1 <td>1</td> </td>	1 <td>1</td>	1
5 <td>368387-2</td> <td>SEAL RETAINER FOR 40P</td> <td>PBT-GF15</td> <td>GRAY</td> <td>1 <td>1 <td>1 <td>1</td> </td></td></td>	368387-2	SEAL RETAINER FOR 40P	PBT-GF15	GRAY	1 <td>1 <td>1 <td>1</td> </td></td>	1 <td>1 <td>1</td> </td>	1 <td>1</td>	1
	368387-1			BLACK	1 <td>1 <td>1 <td>1</td> </td></td>	1 <td>1 <td>1</td> </td>	1 <td>1</td>	1
4 <td>368906-1</td> <td>SLIDE LEVER FOR 40P</td> <td>PA66-GF35</td> <td>BLACK</td> <td>1 <td>1 <td>1 <td>1</td> </td></td></td>	368906-1	SLIDE LEVER FOR 40P	PA66-GF35	BLACK	1 <td>1 <td>1 <td>1</td> </td></td>	1 <td>1 <td>1</td> </td>	1 <td>1</td>	1
3 <td>368906-1</td> <td>38P FAMILY SEAL</td> <td>SILICONE</td> <td>DRANGE</td> <td>1 <td>1 <td>1 <td>1</td> </td></td></td>	368906-1	38P FAMILY SEAL	SILICONE	DRANGE	1 <td>1 <td>1 <td>1</td> </td></td>	1 <td>1 <td>1</td> </td>	1 <td>1</td>	1
2 <td>368385-1</td> <td>MAIN BODY REC. HSG FOR 48P</td> <td>PBT-GF20</td> <td>BLACK</td> <td>1 <td>1 <td>1 <td>1</td> </td></td></td>	368385-1	MAIN BODY REC. HSG FOR 48P	PBT-GF20	BLACK	1 <td>1 <td>1 <td>1</td> </td></td>	1 <td>1 <td>1</td> </td>	1 <td>1</td>	1
1 <td>368384-1</td> <td>FRONT BODY REC. HSG FOR 40P</td> <td>PA66-GF15</td> <td>BLACK</td> <td>1 <td>1 <td>1 <td>1</td> </td></td></td>	368384-1	FRONT BODY REC. HSG FOR 40P	PA66-GF15	BLACK	1 <td>1 <td>1 <td>1</td> </td></td>	1 <td>1 <td>1</td> </td>	1 <td>1</td>	1

ND Part No. DESCRIPTION MATERIAL CUL OR QTY

WORLDWIDE DISTRIBUTION: AMP KOREA, Kyungson, Korea

APPROVED: [Signature] DATE: []/ []/ []

DESIGNED BY: [] CHECKED BY: []

APPLICATION NO: 08-63039

114-10050, 114-10051-1

DATE: 08-08-03 DRAWN BY: []

APP NO: 00779

CUSTOMER DRAWING

40Pos RECEPTACLE HSG ASSEMBLY

368383

SCALE: 2:1 SHEET: 1 OF 1 REV: F